

The background features a repeating pattern of white circles on a light gray surface. A bright, out-of-focus light source is visible in the lower right quadrant, creating a soft glow.

LDI

Lighting



PALI PER ILLUMINAZIONE PUBBLICA IN ACCIAIO

40 years

Four decades of activity's , five areas of intervention, 33.000 square meters of which 12.000 are covered. The LDT and now a reality diverse natural evolution of the first production unit , was born in the early 70's.

Geffrido Tosoni, president of the Company, founded in 1972 the LDT , in the town of Morrovalle, in the province of Macerata. The company started is activity as a laboratory dedicated to the production of electrical grounding and lighting protection. Geffrido Tosoni, with capacity, competence and most seriousness, devotes his life, to the development of business, oriented to a policy of continuous investments, still in place, strengthens the structure, expanding the product range, in the manufacture of steel lighting poles , TV antenna poles for support, and division poles for fencing, presenting a full program in the most different types, up to the traffic signal poles and photovoltaic.

LDT Company has in its manufacturing facility, in a galvanizing plant and a paint shop, among the more modern and to advanced, securing a coming to the Market, with a quality product, at a price among the most competitive.



Index

EXPOSURE CATEGORY	4
TECHNICAL SPECIFICATIONS	5
STANDARD PROCESSING ON THE POLE	6
SPECIAL PROCESSING ON THE POLE	7
PAINT SYSTEM	8
CYLINDRICAL URBAN LIGHTING POLES	9
TAPERED URBAN LIGHTING POLES	11
SQUARE URBAN LIGHTING POLES	13
CONICAL URBAN LIGHTING POLES	14
BRACKETS FOR URBAN STEEL LIGHTING POLES	18
TAPERED WELDED STEPPED STREET LIGHTING POLES	24
TAPERED WELDED STEPPED STREET LIGHTING POLES IN TWO SECTIONS	26
TAPERED WELDED STEPPED STREET PHOTOVOLTAIC POLES	27
TAPERED WELDED STEPPED STREET LIGHTING POLES FRESHMAN ENEL	30
HSP HOT-ROLLED TAPERED STEPPED STEEL LIGHTING POLES	32
CONICAL SHEET STEEL LIGHTING POLES	34
CONICAL CURVED SHEET STEEL LIGHTING POLES	35
HSP HOT-ROLLED CONICAL STEEL LIGHTING POLES	36
HSP HOT-ROLLED CONICAL CURVED STEEL LIGHTING POLES	37
POLYGONAL CONICAL LIGHTING POLES FOR SPORTS FACILITIES	38
OCTAGONAL LIGHTING POLES	39
LIGHT TOWER TO FIXED PLATFORM	40
TOP OF POLE- CROSS BAR FOR POLES-BRACKETS FOR STREET LIGHTING POLES	41
CONICAL FIBREGLASS LIGHTING POLES	45
TOP OF POLE - CROSS BAR FOR FIBREGLASS CONICAL LIGHTING POLES	46
CYLINDRICAL FIBREGLASS LIGHTING POLES	47
TAPERED STEPPED -CYLINDRICAL TRAFFIC LIGHT SIGNAL POLES	48
TAPERED STEPPED STEEL POLES FOR FENCING	49
FLAG RAISING TAPERED STEPPED STEEL LIGHTING POLES	50
POST FOR PARKING	50
WALL MOUNTING BRACKET	51
DOORS AND TERMINAL BLOCKS	52
ACCESSORIES FOR LIGHTING POLES	53
BRACKETS, SUPPORTS AND CONNECTIONS FOR TAPERED STEEL LIGHTING POLES FRESHMAN ENEL	56
RINGS AND BASES, TERMINALS FOR URBAN LIGHTING POLES	61
ALPHANUMERICS INDEX	66

Exposure category



Areas of wind's

- Zona 1**
(Speed reference 25 m/sec)
Valle d'Aosta
Piemonte - Lombardia
Trentino Alto Adige
Veneto
Friuli Venezia Giulia
- Zona 2**
(Speed reference 25 m/sec)
Emilia Romagna
- Zona 3**
(Speed reference 27 m/sec)
Toscana - Umbria
Marche - Lazio
Abruzzo - Molise
Puglia - Basilicata
Campania - Calabria
- Zona 4**
(Speed reference 28 m/sec)
Prov. di Reggio Calabria
Sicilia

Category of soil

- I** Coast. Coast of the lake with a windward width of at least 5 km. Flat ground without of obstacles.
- II** Farmland enclosed by hedgerows , some small farm building, houses or tree.
- III** Suburban or industrial areas or forests permanent
- IV** Urban area in which at least 15% of the surface and covered by buildings with average height greater than 15 meters.

- Zona 5**
(Speed reference 28 m/sec)
Sardegna ad Oriente della retta congiungente Capo Teulada con l'Isola della Maddalena
- Zona 6**
(Speed reference 28 m/sec)
Sardegna ad Occidente della retta congiungente Capo Teulada con l'Isola della Maddalena
- Zona 7**
(Speed reference 29 m/sec)
Liguria
- Zona 8**
(Speed reference 31 m/sec)
Prov. di Trieste
- Zona 9**
(Speed reference 31 m/sec)
Isole ad eccezione di Sicilia e Sardegna e mare aperto

Areas of wind' second country of jurisdiction

Tapered and cylindrical steel poles

Material

Steel	S235 JRH – UNI EN 10219 (Fe360B)
R (Unit load of tensile strength)	360-490 N/mm ²
ReH (Unit load at yield)	235 N/mm ²
A (Elongation)	20%

Steel material on request S275JR (Fe430) – S355JR (Fe510B)

Dimensional Tolerances Uni En 40/2

External diameter:	± 1 %
Thickness:	± 10 %
Straightness:	± 0,3 % of total length
Length:	± 0,5 %

Conical and curved sheet metal poles

Material

Steel	S235JR - UNI EN 10025 (Fe 360B)
R (Unit load of tensile strength)	360-490 N/mm ²
ReH (Unit load at yield)	235 N/mm ²
A (Elongation)	20%

Dimensional Tolerances Uni En 40/2

External diameter:	± 1 %
Form:	± 3 % of diameter
Thickness:	± 10 %
Straightness:	± 0,3 % of total length
Length:	± 0,5 %

Hot-rolled tapered and conical poles

Material

Steel	275JOH - UNI EN 10219 (Fe430) – (S235 JOH -uni En 10219 on request)
R (Unit load of tensile strength)	410-560 N/mm ² (360-490 N/mm ² on request)
ReH (Unit load at yield)	275 N/mm ² (235 N/mm ² on request)
A (Elongation)	20%

Dimensional Tolerances Uni En 40/2

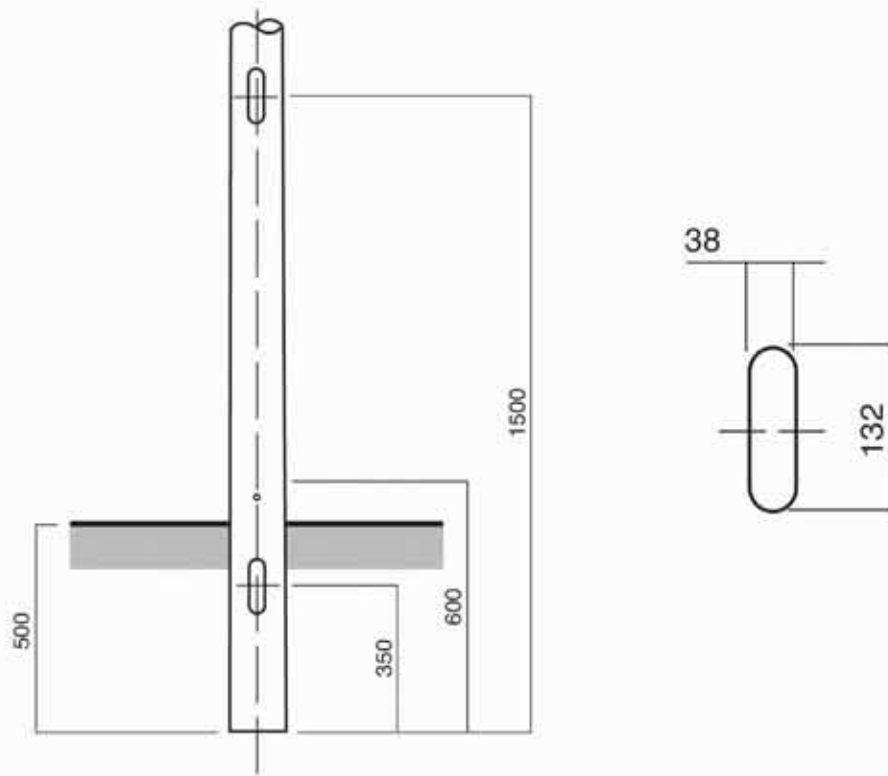
External diameter:	± 3 %
Thickness:	± 0,3 mm.
Straightness:	± 0,3 % of total length
Length:	± 50 mm.

Protection

Hot dip galvanizing as per UNI EN ISO 1461

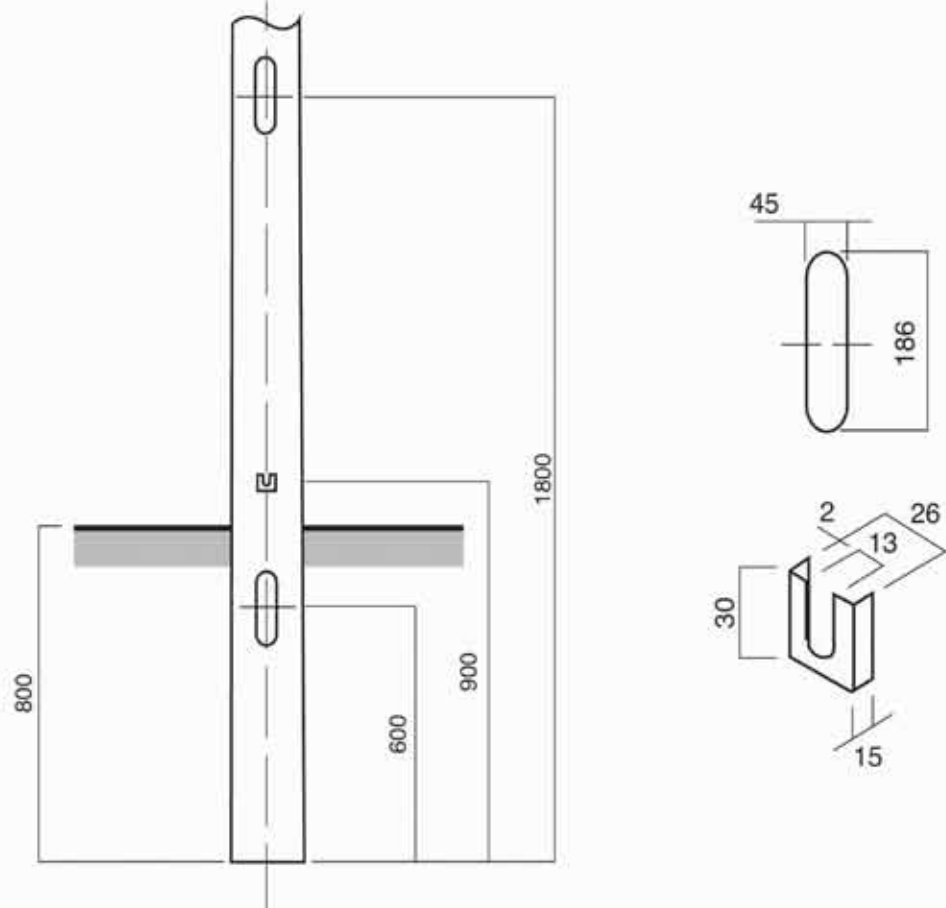
Standard processing on the pole

Processing for poles with total Length lower or equal to 6 meters



6

Processing for poles with total length greater than 6 meters



Special processing on the pole

- Square or circular base plate
- Working on top of pole
- Coupling with reducing ring
- Door cut flush with pole
- Reinforced eyelet terminal
- Drip ring
- Shrinkable sleeve
- Steel welded sleeve
- Bracket for bike track
- Pole supports for bridges - viaducts- walls



Paint System

- Acid pickling
- Rising with tap water
- Rising with demineralized water
- Alkaline degreasing
- Rising with tap water
- Rising with demineralized water

- Phospho Chromate
- Rising with tap water
- Rising with demineralized water
- Drying
- Electrostatic painting with powder
- Polymerization (170/220° C)

DUALCOT marine environment

RAL 1016

RAL 1003 TRAFFIC LIGHT

GRIS 150 SABLÈ

RAL 9006 TXT

RAL 9007

ANTIQUE GRAY

GRIS 900 SABLÈ

PEWTER BUGNATO

RAL 9005 WRINKLED

COPPER BUGNATO

RAL 6009

RAL 6005

BLU 600 SABLÈ

RAL 9006

CORTEM



On request can be made of any color paint provided by the standardized Range Ral

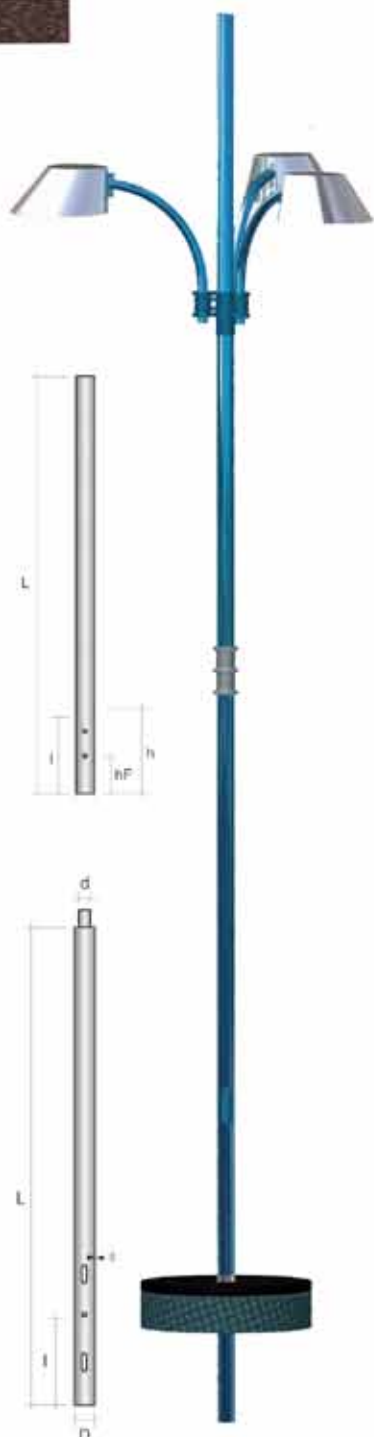
Urban lighting Poles

CYLINDRICAL LIGHTING POLE

Hot Galvanized steel. With hole for cable and hole for grounding.

Reduction head of pole Ø60x100 on request.

article	L mm	l mm	D mm	hF mm	hP mm	weight kg	qty pack	m ²
3120	1.200	300	60	220	400	5,30	1	0,23
3180	1.800	300	60	220	400	8,00	1	0,34
3240	2.400	300	60	220	400	10,70	1	0,45
3300	3.000	400	60	220	500	13,00	1	0,57



article	L mm	l mm	s mm	D mm	d mm	door article	weight kg	qty pack	m ²
C76/3000	3.000	500	3	76	60x100	4300/LDT	17,00	1	0,72
C76/3500	3.500	500	3	76	60x100	4300/LDT	20,00	1	0,84
C76/4000	4.000	500	3	76	60x100	4300/LDT	23,00	1	0,95
C76/4500	4.500	500	3	76	60x100	4300/LDT	25,00	1	1,07
C76/5000	5.000	500	3	76	60x100	4300/LDT	28,00	1	1,19

article	L mm	l mm	s mm	D mm	d mm	door article	weight kg	qty pack	m ²
C89/3000	3.000	500	3	89	60x100	4300/LDT	20,00	1	0,84
C89/3500	3.500	500	3	89	60x100	4300/LDT	23,00	1	0,98
C89/4000	4.000	500	3	89	60x100	4300/LDT	27,00	1	1,12
C89/4500	4.500	500	3	89	60x100	4300/LDT	30,00	1	1,26
C89/5000	5.000	500	3	89	60x100	4300/LDT	33,00	1	1,40

article	L mm	l mm	s mm	D mm	door article	weight kg	qty pack	m ²
3400	4.000	500	3	102	4300/LDT	31,0	1	1,28
3450	4.500	500	3	102	4300/LDT	35,0	1	1,44
3500	5.000	500	3	102	4300/LDT	39,0	1	1,60
3550	5.500	500	3	102	4300/LDT	42,0	1	1,76
3600	6.000	500	3	102	4300/LDT	46,0	1	1,92
3700	7.000	800	3,5	102	4300/LDT	56,0	1	2,24

On request can be produced poles with different diameters and lengths other than those listed.

Urban lighting Poles

CYLINDRICAL POLE WITH REINFORCED SLEEVE

Hot Galvanized steel. With hole for cable and hole for grounding.

Reduction head of pole Ø60x100 on request.

MATERIALS TO BE ORDERED

article	L mm	l mm	s mm	D mm	door article	weight kg	qty pack	m ²
3400/M	4.000	500	3	102	4300/LDT	33,00	1	1,28
3450/M	4.500	500	3	102	4300/LDT	37,00	1	1,44
3500/M	5.000	500	3	102	4300/LDT	41,00	1	1,60
3550/M	5.500	500	3	102	4300/LDT	45,00	1	1,76



CYLINDRICAL POLE THICKNESS 3mm WITH BASE PLATE

Hot Galvanized steel. With hole for cable and hole for grounding. Reduction head of pole Ø60x100 on request.

To the order could be request the supply of a striker plate by immersion in cement (pag.53)

article	L mm	a mm	S mm	D mm	P mm	door article	weight kg	qty pack	m ²
3400/B	4.000	10	3	102	250	4300/LDT	37,00	1	1,30
3450/B	4.500	10	3	102	250	4300/LDT	41,00	1	1,46
3500/B	5.000	10	3	102	250	4300/LDT	45,00	1	1,62
3550/B	5.500	10	3	102 <td 250	4300/LDT	49,00	1	1,78	

CYLINDRICAL POLE

Hot Galvanized steel. With hole for cable and hole for grounding.

Reduction head of pole Ø60x100 on request.

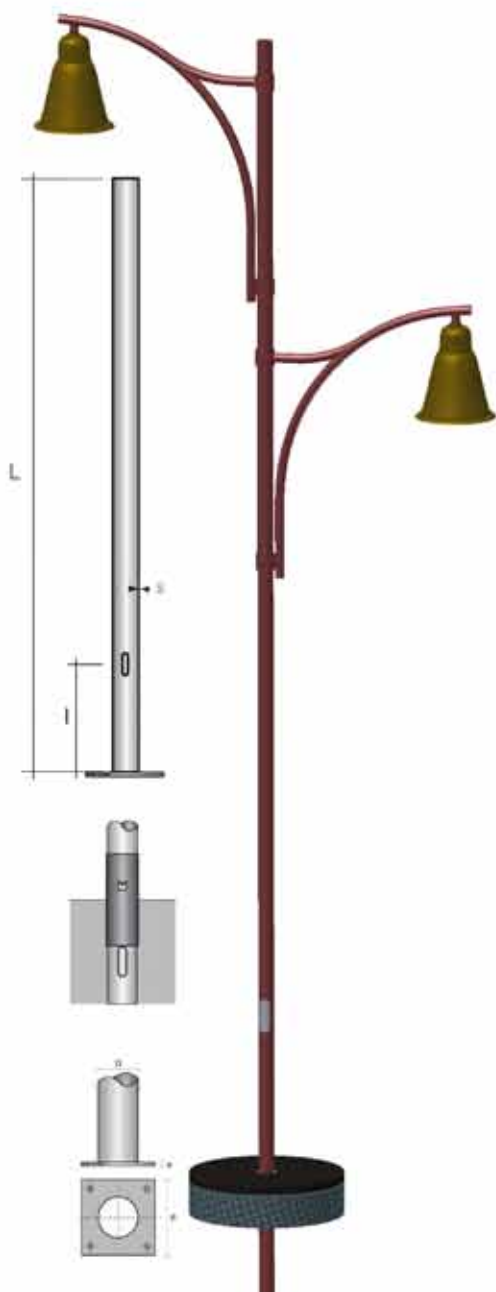
article	L mm	a mm	S mm	D mm	P mm	l mm	door article	weight kg	qty pack	m ²
C114/3500	3.500	10	3	114	250	500	4300/LDT	30,00	1	1,25
C114/4500	4.500	10	3	114	250	500	4300/LDT	39,00	1	1,61
C114/5000	5.000	10	3	114	250	500	4300/LDT	44,00	1	1,79
C114/5500	5.500	10	3	114	250	500	4300/LDT	48,00	1	1,97

CYLINDRICAL POLE

Hot Galvanized steel. With hole for cable and hole for grounding.

Reduction head of pole Ø60x100 on request.

article	L mm	l mm	s mm	D mm	door article	weight kg	qty pack	m ²
C120/5600	5.600	600	3	120	4301/LDT	51,00	1	2,11
C120/8000	8.000	800	4	120	4301/LDT	97,00	1	3,00



On request can be produced poles with different diameters and lengths other than those listed

Urban lighting Poles

TAPERED WELDED LIGHTING POLE

Hot galvanizing steel.

article	L mm	l mm	s mm	D mm	d mm	door article	weight kg	qty pack	m ²
4303	3.000	500	3	76	60	4300/LDT	15,00	1	0,64
4403	4.000	500	3	76	60	4300/LDT	20,50	1	0,85
4503	5.000	500	3	89	60	4300/LDT	29,00	1	1,20
4603	6.000	500	3	102	60	4300/LDT	38,00	1	1,58



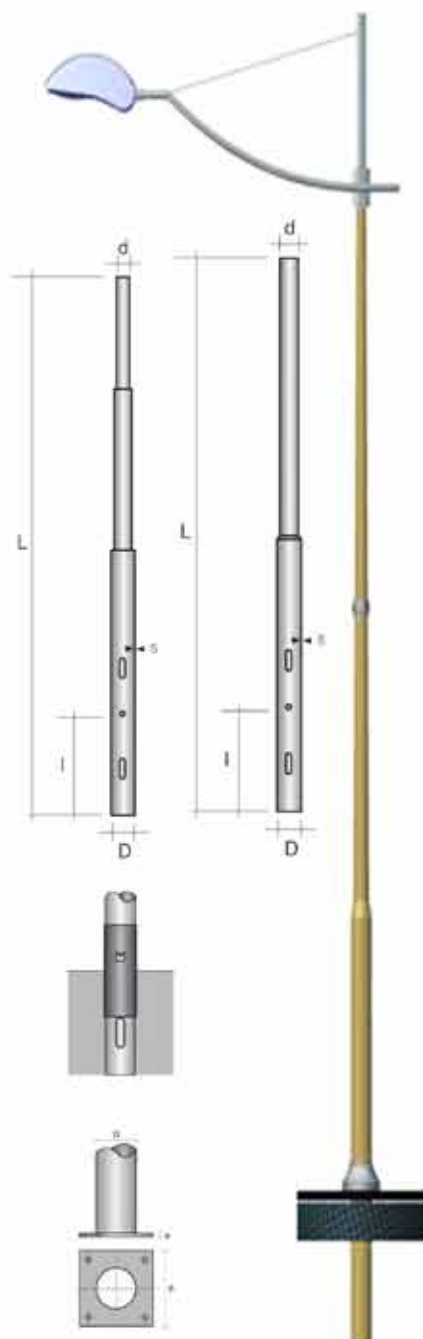
TAPERED WELDED POLE THICKNESS 3 WITH BASE PLATE

With hole for cable and hole for grounding.

Reduction head of pole Ø60x100 on request.

To the order could be request the supply of a striker plate by immersion in cement (pag.53)

article	L mm	D mm	d mm	a mm	P mm	door article	weight kg	qty pack	m ²
4303/B	3.000	76	60	10	250	4300/LDT	20,0	1	0,70
4403/B	4.000	76	60	10	250	4300/LDT	25,0	1	0,90
4503/B	5.000	89	60	10	250	4300/LDT	32,0	1	1,26



TAPERED WELDED POLE

Hot galvanizing steel.

article	L mm	l mm	s mm	D mm	d mm	door article	weight kg	qty pack	m ²
3680	6.800	800	3	127	102	4301/LDT	60,50	1	2,40
3780	7.800	800	3	127	102	4301/LDT	68,50	1	2,73

TAPERED WELDED POLE WITH REINFORCED SLEEVE

Hot galvanizing steel.

MATERIAL TO BE ORDERED.

article	L mm	l mm	s mm	D mm	d mm	door article	weight kg	qty pack	m ²
3680/M	6.800	800	3	127	102	4301/LDT	61,50	1	2,40
3780/M	7.800	800	3	127	102	4301/LDT	69,50	1	2,73

On request can be produced poles with different diameters and lengths other than those listed

Urban lighting Poles

WELDED TAPERED LIGHTING POLE WITH ONE STEP

Hot galvanized steel.

(Decorative Ring pag. 62)

article	L mm	l mm	s mm	D mm	d mm	door article	weight kg	qty pack	m ²
R68-127/102	6.800	800	4/3	127	102	4301/LDT	59,00	1	2,41
R68-159/102	6.800	800	4/3	159	102	4301/LDT	88,00	1	2,89
R78-139/102	7.800	800	4/3	139	102	4301/LDT	69,00	1	2,85
R78-159/102	7.800	800	4/3	159	102	4301/LDT	96,50	1	3,21
R88-159/102	8.800	800	4/3	159	102	4301/LDT	104,00	1	3,53
R98-159/102	9.800	800	4/3	159	102	4301/LDT	112,00	1	3,85

HSP STEPPED CONICAL LIGHTING POLE

Hot galvanized steel.

article	L mm	l mm	s mm	D mm	d mm	door article	weight kg	qty pack	m ²
LP48-168/60	4.800	800	4	168	60	4301/LDT	76,30	1	2,23
LP58-168/75	5.800	800	4	168	75	4301/LDT	87,50	1	2,70
LP68-168/75	6.800	800	4	168	75	4301/LDT	100,00	1	2,82
LP78-168/75	7.800	800	4	168	75	4301/LDT	115,00	1	3,18
LP88-168/75	8.800	800	4	168	75	4301/LDT	130,00	1	3,54
LP98-168/75	9.800	800	4	168	75	4301/LDT	143,00	1	3,90
LP108-168/75	10.800	800	4	168	75	4301/LDT	152,50	1	4,22

HSP BARROL LIGHTING POLE

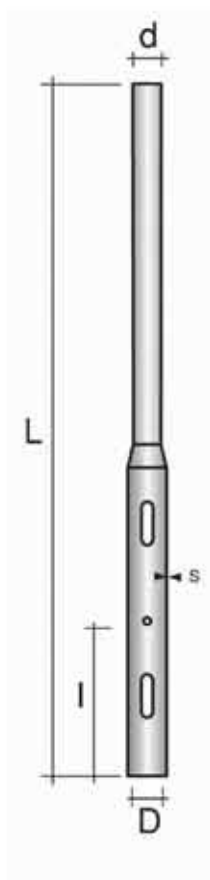
Hot galvanized steel.

article	L mm	l mm	s mm	D mm	d mm	door article	weight kg	qty pack	m ²
B40-127/60	4.000	500	3,6	127	60	4301/LDT	49,00	1	1,17
B50-139/102	5.000	500	3,8	139	102	4301/LDT	68,50	1	1,89
B68-139/102	6.800	800	3,8	139	102	4301/LDT	82,40	1	2,57



On request can be produced poles with different diameters and lengths other than those listed

Urban lighting poles



HSP WELDED TAPERED LIGHTING POLE WITH ONE STEP

Hot galvanized steel.

article	L mm	l mm	s mm	D mm	d mm	door article	weight kg	qty pack	m ²
RL40-102/60	4.000	500	3	102	60	4300/LDT	31,00	1	1,02
RL45-102/60	4.500	500	3	102	60	4300/LDT	35,50	1	1,14
RL50-114/76	5.000	500	3	114	76	4301/LDT	41,00	1	1,49
RL55-114/76	5.500	500	3	114	76	4301/LDT	44,00	1	1,64
RL60-114/76	6.000	500	3	114	76	4301/LDT	46,00	1	1,79

SQUARE POLE

Hot galvanized steel.

article	L mm	l mm	s mm	D mm	d mm	door article	weight kg	qty pack	m ²
Q100-2000	2.000	500	3	100	100	4300/right	19,00	1	0,8
Q100-3000	3.000	500	3	100	100	4300/right	29,00	1	1,2
Q120-2000	2.000	500	3	120	120	4300/right	23,00	1	0,96
Q120-3000	3.000	500	3	120	120	4300/right	35,00	1	1,44



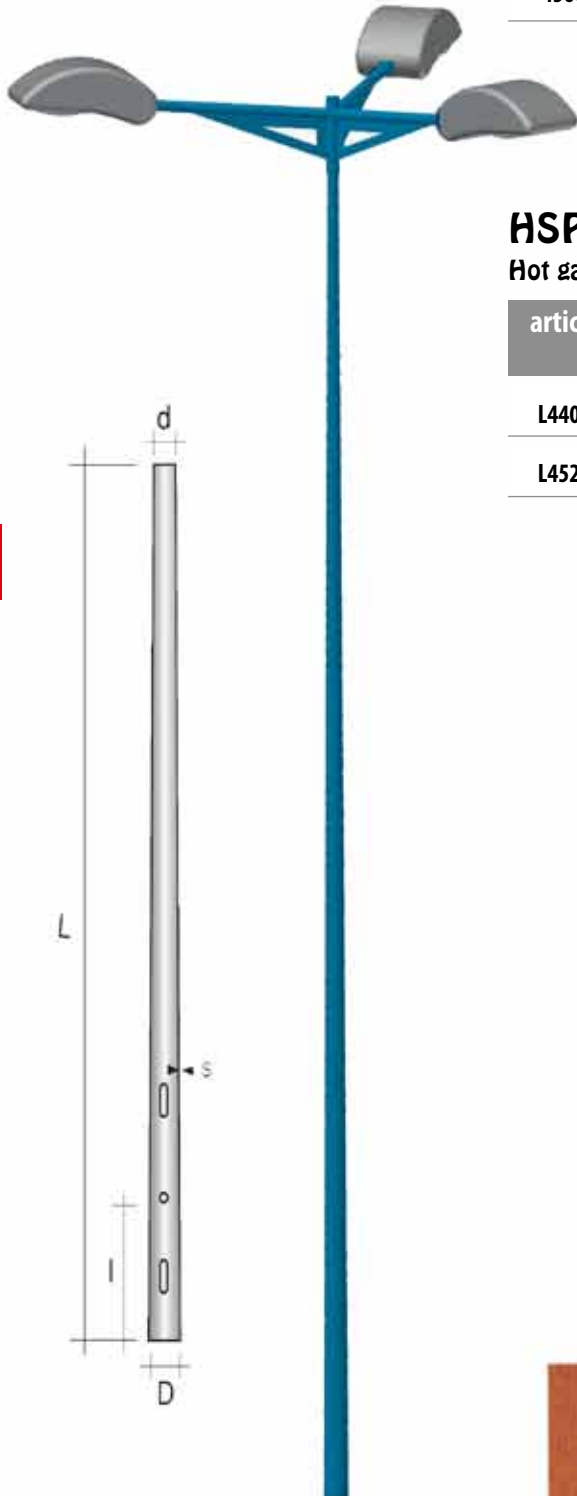
On request can be produced poles with different diameters and lengths other than those listed

Urban lighting Poles

CONICAL STEEL LIGHTING POLE

Hot galvanized steel.

article	L mm	l mm	s mm	D mm	d mm	door article	weight kg	qty pack	m ²
4360	3.500	500	3	95	60	4300/LDT	20,00	1	0,85
4400	4.000	500	3	100	60	4300/LDT	24,00	1	1,00
4460	4.500	500	3	105	60	4300/LDT	28,00	1	1,17
4560	5.500	500	3	115	60	4300/LDT	37,00	1	1,51



HSP CONICAL STEEL LIGHTING POLE

Hot galvanized steel.

article	L mm	l mm	s mm	D mm	d mm	door article	weight kg	qty pack.	m ²
L4400	4.000	500	3,2	88,9	60	4300/LDT	25,00	1	0,98
L4520	5.200	500	3,2	88,9	60	4300/LDT	30,00	1	1,26



On request can be produced poles with different diameters and lengths other than those listed



LDT

Lights

Shapes

Colors



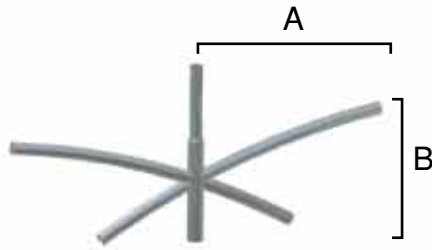




Brackets for Urban steel lighting poles

NINJA

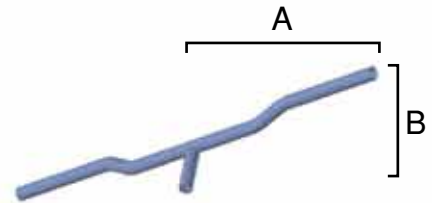
Hot galvanized steel.



article	description	A Projection mm	B Lift mm	weight kg	qty pack	m ²
NINJA1	single	1.500	1.000	14,50	1	0,60
NINJA2	double	1.500	1.000	23,50	1	0,98
NINJA 1-1	single	950	1.000	12,00	1	0,50
NINJA 2-2	double	950	1.000	18,50	1	0,77

ONDA

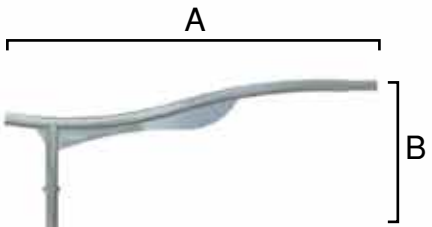
Hot galvanized steel.



article	description	A Projection mm	B Lift mm	weight kg	qty pack	m ²
ONDA1	single	1.000	300	6,00	1	0,25
ONDA2	double	1.000	300	10,50	1	0,44

CAOS

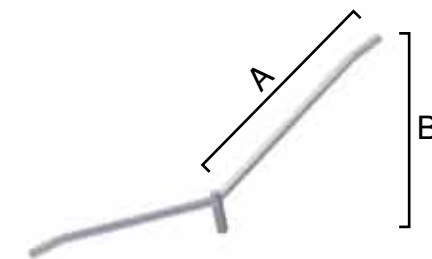
Hot galvanized steel.



article	description	A Projection mm	B Lift mm	weight kg	qty pack	m ²
CAOS1	single	1.500	500	13,00	1	0,41
CAOS2	double	1.500	500	20,00	1	0,66

CALIFORNIA

Hot galvanized steel.



article	description	A Projection mm	B Lift mm	weight kg	qty pack	m ²
CALIFORNIA1	single	1.500	400	8,00	1	0,34
CALIFORNIA2	double	1.500	400	15,00	1	0,62

SUSA

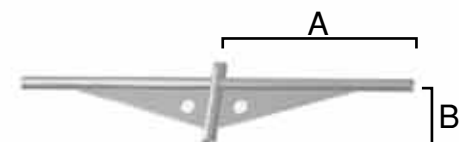
Hot galvanized steel.



article	description	A Projection mm	B Lift mm	weight kg	qty pack	m ²
SUSA1	single	1.000	1.000	16,00	1	0,55
SUSA2	double	1.000	1.000	25,50	1	0,90

MILANO

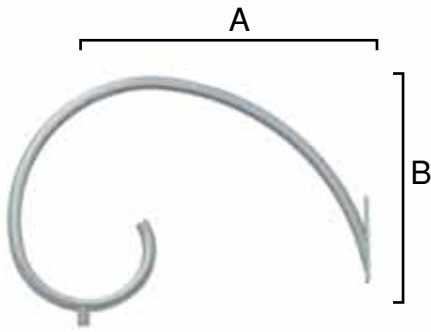
Hot galvanized steel.



article	description	A Projection mm	B Lift mm	weight kg	qty pack	m ²
MILANO1	single	1.000	400	8,50	1	0,28
MILANO2	double	1.000	400	15,00	1	0,46



Brackets for Urban steel lighting poles

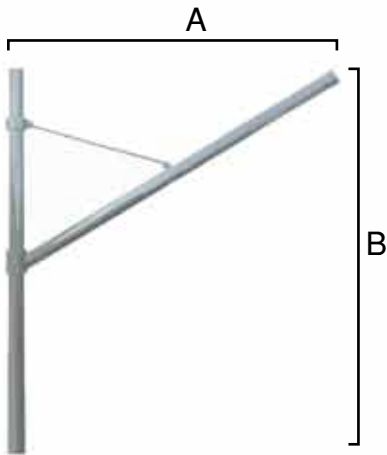


STORICO

Hot galvanized steel.

article	description	A Projection mm	B Lift mm	weight kg	qty pack	m ²
STORICO	single	1.500	1.000	21,00	1	0,85

On request can be produced brackets with different dimensions as those listed.

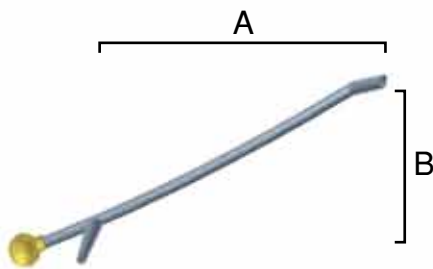


ADRIATICO

Hot galvanized steel.

article	description	A Projection mm	B Lift mm	weight kg	qty pack	m ²
ADRIATICO	single	1.350	750	11,00	1	0,284

On request can be produced brackets with different dimensions as those listed.

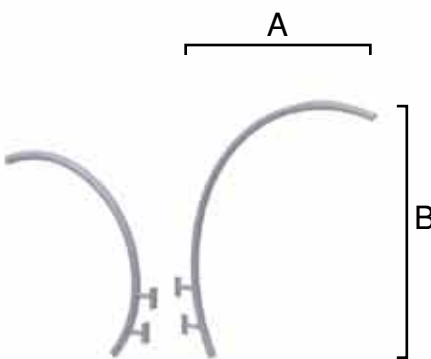


VENEZIA

Hot galvanized steel.

article	description	A Projection mm	B Lift mm	weight kg	qty pack	m ²
VENEZIA1	single	1.200	500	8,00	1	0,35
VENEZIA2	double	1.200	500	15,00	1	0,65

On request can be produced brackets with different dimensions as those listed.



VIALE

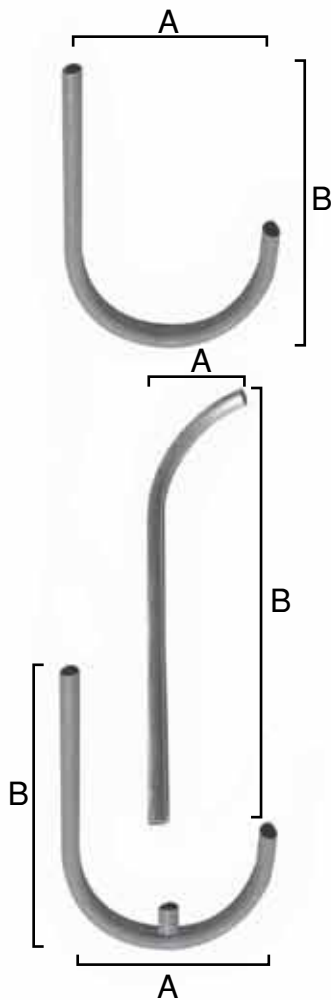
Hot galvanized steel.

article	description	A Projection mm	B Lift mm	weight kg	qty pack	m ²
VIALE1	single	1.000	1000	11,00	1	0,46
VIALE2	double	1.500	1.500	15,00	1	0,61

On request can be produced brackets with different dimensions as those listed.



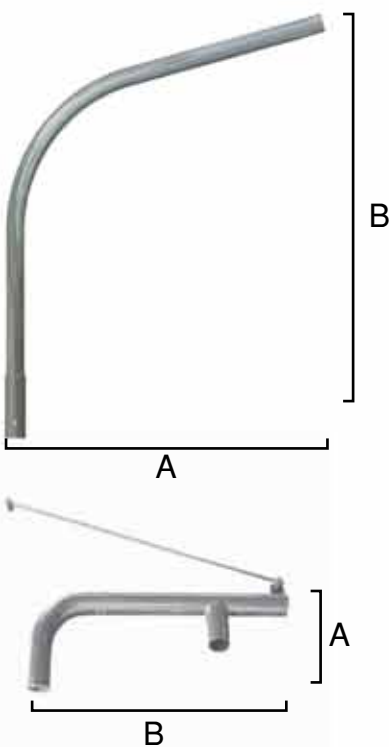
Brackets for Urban steel lighting poles



Ø 60 mm

Hot galvanized steel.

article	couplings n°	A Projection mm	B Lift mm	weight kg	qty pack	m ²
4334	2	1.000	700	5,15	1	0,34
4334/1	2	1.000	350	3,45	1	0,28
4334/2	2	1.300	350	4,30	1	0,41
4335	2	1.000	850	5,60	1	0,37
4335/A	2	1.000	850	5,65	1	0,38
4337	2	1.000	540	4,60	1	0,30



Ø 60 mm

Hot galvanized steel.

article	couplings n°	A Projection mm	B Lift mm	r mm	weight kg	qty pack	m ²
4332/1A	2	1.000	1.500	500	11,00	1	0,48

Ø 60 mm

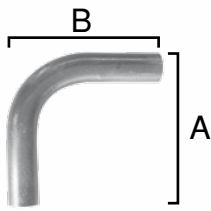
Hot galvanized steel. With 02 cups, complete with tie and collar to fix bracket with pole.

article	couplings n°	A Lift mm	B Projection mm	weight kg	qty pack	m ²
4336	2	700	700	5,70	1	0,25
4336/A	1	300	700	4,00	1	0,18

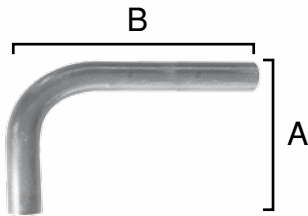


Brackets for Urban steel lighting poles

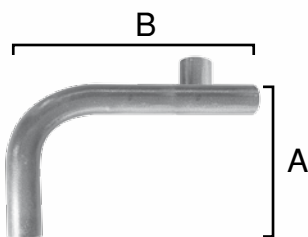
Ø 60 mm Hot galvanized steel. With cup.



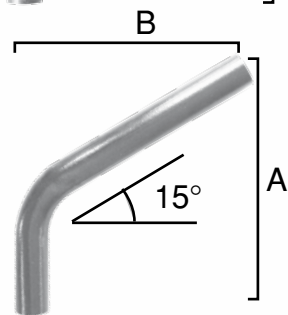
article	couplings n°	A Lift mm	B Projection mm	weight kg	qty pack	m ²
4338/1	1	300	300	1,55	1	0,10



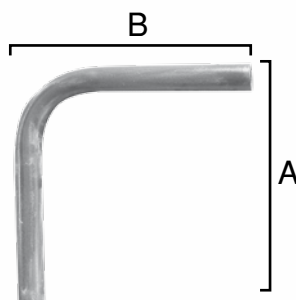
article	couplings n°	A Lift mm	B Projection mm	weight kg	qty pack	m ²
4338/2	1	300	500	2,15	1	0,14



article	couplings n°	A Lift mm	B Projection mm	weight kg	qty pack	m ²
4338/2A	1	300	500	2,40	1	0,16



article	couplings n°	A Lift mm	B Projection mm	weight kg	qty pack	m ²
4338/3	1	400	350	1,75	1	0,11

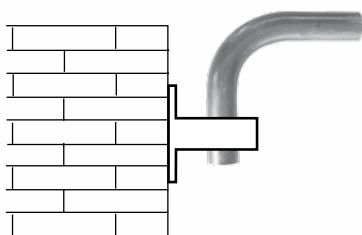


article	couplings n°	A Lift mm	B Projection mm	weight kg	qty pack	m ²
4338/4	2	500	500	2,75	1	0,18

WALL BRACKET FOR SHELF

Cast aluminium.

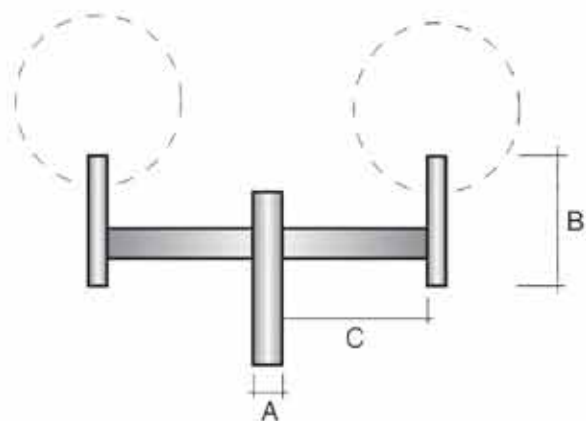
article	1 wall fixing article	2 wall fixing article	weight kg	qty pack	m ²
4342/A	4338/1	4332/1A	3,70	1	0,04
	4338/2	4334/1-4334/2			
	4338/2A	4335			
	4338/3	4335/A			
	4336/A	4336			
		4337			
		4338/4			



Brackets for Urban steel lighting poles

Hot galvanized steel.
MATERIAL TO BE ORDERED.

article	description	A mm	B mm	C mm	weight kg	qty pack	m ²
4338/11-76	single	76	60x400	500	6,60	1	0,29
4338/12-76	double	76	60x400	500	10,30	1	0,46
4338/13-76	triple	76	60x400	500	13,95	1	0,63
4338/14-76	quadruple	76	60x400	500	17,65	1	0,80
4338/11-89	single	89	60x400	500	7,00	1	0,31
4338/12-89	double	89	60x400	500	10,80	1	0,48
4338/13-89	triple	89	60x400	500	14,50	1	0,65
4338/14-89	quadruple	89	60x400	500	18,50	1	0,82
4338/11-102	single	102	60x400	500	7,60	1	0,33
4338/12-102	double	102	60x400	500	11,50	1	0,50
4338/13-102	triple	102	60x400	500	15,00	1	0,67
4338/14-102	quadruple	102	60x400	500	18,70	1	0,84



On request can be produced brackets with different dimensions as those listed

Automatic welding process

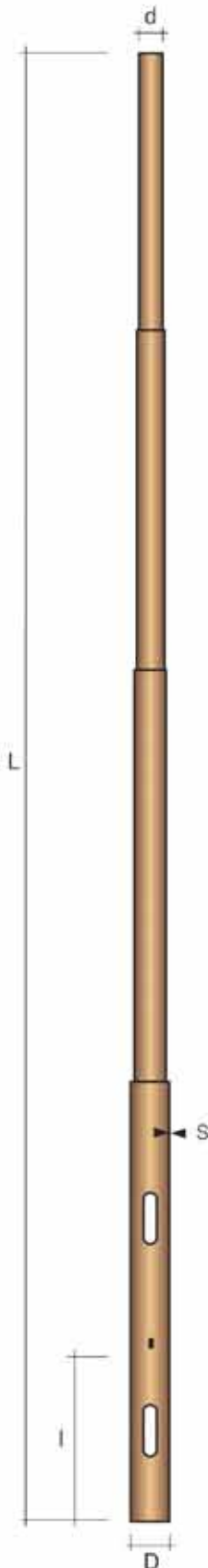


Tapered welded stepped street lighting poles

TAPERED POLE

Hot galvanized steel, standard processes to the pole (pag.6)

article	L mm	l mm	s mm	D mm	d mm	m ²	door article	weight kg	qty pack
4303	3.000	500	3	76	60	0,66	4300/LDT	15,50	1
4353	3.500	500	3	76	60	0,76	4300/LDT	18,13	1
4403	4.000	500	3	76	60	0,88	4300/LDT	20,50	1
4453	4.500	500	3	76	60	0,96	4300/LDT	23,50	1
4503	5.000	500	3	89	60	1,20	4300/LDT	29,00	1
4553	5.500	500	3	102	60	1,45	4300/LDT	36,00	1
4603	6.000	500	3	102	60	1,67	4300/LDT	38,50	1
4703	6.800	800	3	127	60	2,29	4301/LDT	57,50	1
4703/139	6.800	800	3	139	60	2,42	4301/LDT	62,00	1
4703/4	6.800	800	4	127	60	2,29	4301/LDT	67,00	1
4703/4-152	6.800	800	4	152	60	2,69	4301/LDT	82,00	1
4703/4-168	6.800	800	4	168	60	2,94	4301/LDT	89,00	1
4704	6.800	800	3	114	60	1,86	4301/LDT	55,00	1
4803	7.800	800	3	127	60	2,63	4301/LDT	64,00	1
4803/4	7.800	800	4	127	60	2,60	4301/LDT	74,00	1
4803/4-152	7.800	800	4	152	60	3,06	4301/LDT	90,00	1
4803/4-168	7.800	800	4	168	60	3,29	4301/LDT	99,00	1
4803/4-193	7.800	800	4	193	60	3,72	4301/3	112,00	1
4903	8.800	800	3	127	60	2,95	4301/LDT	70,00	1
4903/139	8.800	800	3	139	60	3,06	4301/LDT	75,00	1
4903/4	8.800	800	4	127	60	2,95	4301/LDT	80,00	1
4903/4-152	8.800	800	4	152	60	3,39	4301/LDT	97,00	1
4903/4-168	8.800	800	4	168	60	3,71	4301/LDT	106,00	1
4903/4-193	8.800	800	4	193	60	4,26	4301/3	141,00	1
4903/5-219	8.800	800	5	219	60	4,59	4301/3	154,00	1
4103	9.800	800	3	139	60	3,46	4301/LDT	83,00	1
4103/4	9.800	800	4	139	60	3,46	4301/LDT	94,00	1
4103/4-152	9.800	800	4	152	60	3,85	4301/LDT	116,00	1
4103/4-168	9.800	800	4	168	60	4,00	4301/LDT	126,50	1
4103/4-193	9.800	800	4	193	60	4,78	4301/3	141,00	1
4103/5-219	9.800	800	5	219	60	5,20	4301/3	187,00	1
41103	10.800	800	3	139	60	3,65	4301/LDT	90,00	1
41103/4	10.800	800	4	139	60	3,65	4301/LDT	100,00	1
41103/4-152	10.800	800	4	152	60	3,94	4301/LDT	114,00	1
41103/4-168	10.800	800	4	168	60	4,10	4301/LDT	125,00	1
41103/4-193	10.800	800	4	193	60	5,30	4301/3	158,00	1
41103/5-219	10.800	800	5	219	60	5,36	4301/3	196,00	1
41203/4	11.800	800	4	152	60	4,35	4301/LDT	120,00	1
41203/4-168	11.800	800	4	168	60	4,65	4301/LDT	132,00	1
41203/4-193	11.800	800	4	193	60	5,75	4301/3	169,00	1



Maximum diameter 219 mm

On request can be produced poles with different diameters and lengths other than those listed

Tapered welded stepped extendable street lighting poles

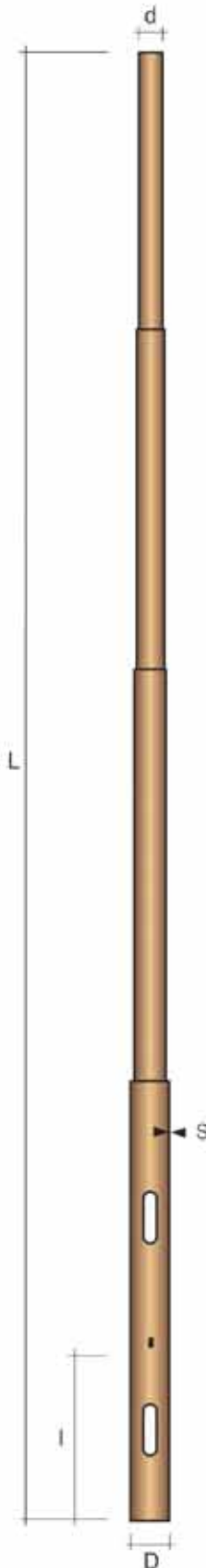
TAPERED POLE EXTENDABLE

Hot galvanized steel.

Standard processes to the pole (pag.6)

Cross bar article P05/4321, P10/4321, P15/4321, P20/4321.

article	L mm	l mm	s mm	D mm	d mm	m ²	door article	weight kg	qty pack
41203/5	11.800	800	5	219	102	6,20	4301/3	248,0	1

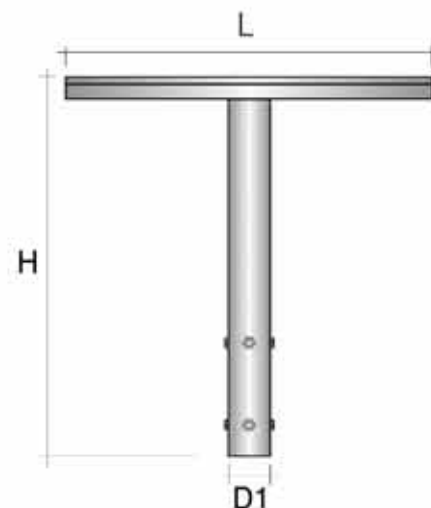


EXTEND COMPLETE WITH CROSS BAR

Hot galvanized steel.

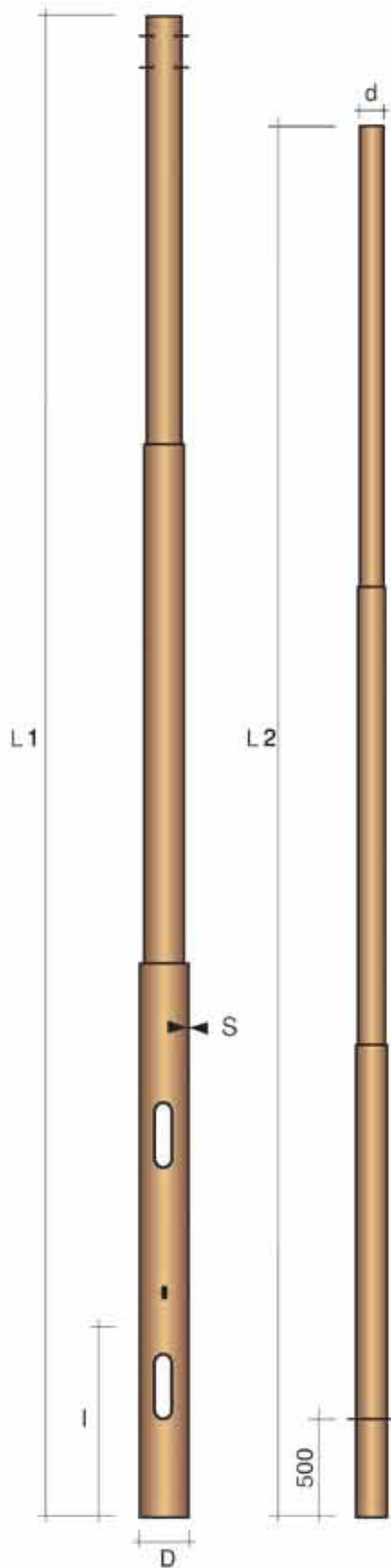
For pole 41203/5.

article	fixing with	top of pole Ø mm	D1 mm	H mm	L mm	weight kg	qty pack
P05/4321	nuts M10	102	114	500	1000	10,00	1
P10/4321	nuts M10	102	114	1000	1000	14,00	1
P15/4321	nuts M10	102	114	1500	1000	18,00	1
P20/4321	nuts M10	102	114	2000	1000	22,00	1



On request can be produced poles with different diameters and lengths other than those listed

Tapered welded stepped street lighting poles



TAPERED WELDED STEPPED STREET LIGHTING POLES IN TWO SECTIONS

Hot galvanized steel.

Standard processes to the pole (pag.6)

Accessories (cross bar) see pag. 43

article	L (L1+L2) mm	l mm	s mm	D mm	d mm	m ²	door article	weight kg	qty pack
41303	13.000	1.000	5/4	219	102	6,66	4301/3	249,00	1
41403	14.000	1.000	5/4	219	102	6,68	4301/3	256,00	1
41503	15.000	1.000	5/4	219	102	7,11	4301/3	270,00	1
41603	16.000	1.000	5/4	219	102	7,47	4301/3	279,00	1
41703	17.000	1.000	5/4	219	102	7,84	4301/3	287,00	1



On request can be produced poles with different diameters and lengths other than those listed

Tapered welded stepped street photovoltaic poles

TAPERED WELDED STEPPED STREET PHOTOVOLTAIC POLES THICKNESS 4

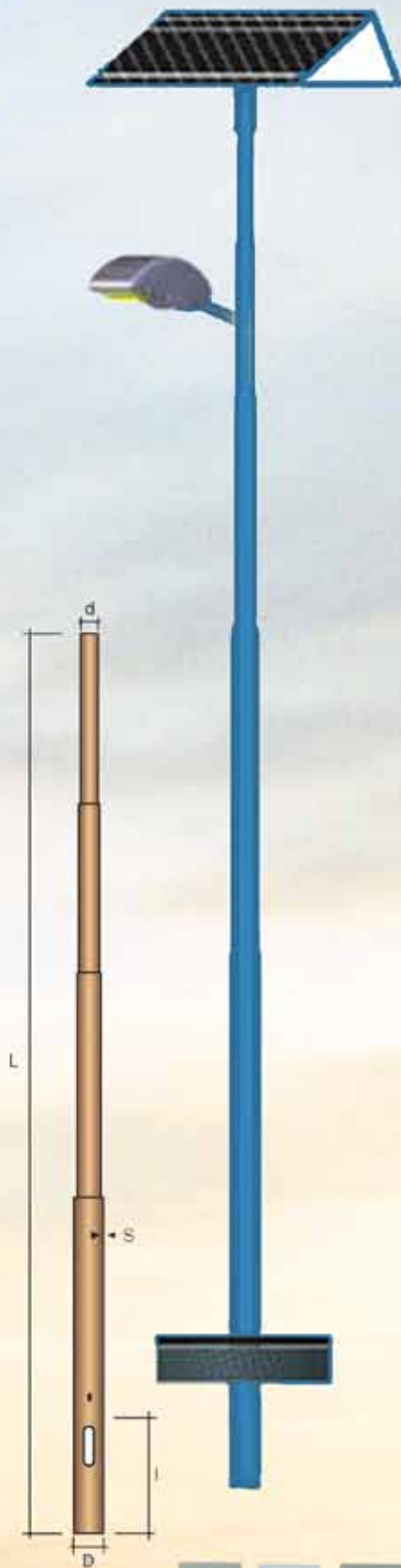
Hot galvanized steel as per UNI EN ISO 1461.

Standard processes to the pole pag. 6

Cable entry slot 186x45 mm to 600mm from the base to the centre hole

Plate for the ground to 900mm from the base

article	L mm	l mm	s mm	D mm	d mm	m ²	weight kg	qty pack
FR68-152/76	6.800	800	4	152	89	2,69	91,00	1
FR78-168/89	7.800	800	4	168	89	3,29	122,00	1
FR78-193/89	7.800	800	4	193	89	3,72	133,00	1
FR88-168/89	8.800	800	4	168	89	3,71	131,00	1



On request can be produced poles with different diameters and lengths other than those listed

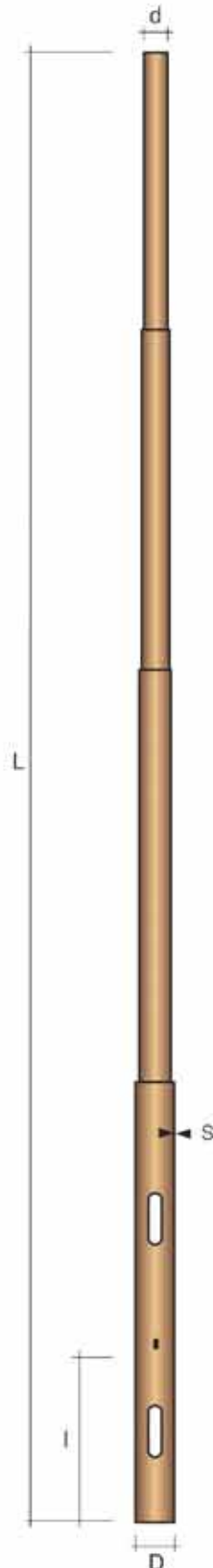




HSP Hot rolled Tapered stepped steel lighting poles

Hot galvanized steel UNI EN ISO 1461:
Standard processes to the pole pag. 6

article	L mm	l mm	s mm	D mm	d mm	m ²	door article	weight kg	qty pack
L4403/89	4.000	500	3,2	89	60	1,01	4300/LDT	30,00	1
L4453/89	4.500	500	3,2	89	60	1,10	4300/LDT	33,00	1
L4503/89	5.000	500	3,2	89	60	1,27	4300/LDT	35,00	1
L4603/89	6.000	500	3,2	89	60	1,52	4300/LDT	43,00	1
L4603/102	6.000	500	3,2	102	60	1,67	4300/LDT	50,00	1
L4603/114	6.000	500	3,4	114	60	1,83	4300/LDT	55,00	1
L4700/114	7.000	800	3,4	114	60	2,13	4301/LDT	64,00	1
L4700/127	7.000	800	3,6	127	60	2,34	4301/LDT	76,00	1
L4700/139	7.000	800	3,8	139,7	60	2,61	4301/LDT	88,00	1
L4800/114	8.000	800	3,4	114	60	2,44	4301/LDT	72,00	1
L4800/127	8.000	800	3,6	127	60	2,68	4301/LDT	85,00	1
L4800/139	8.000	800	3,8	139	60	3,00	4301/LDT	98,00	1
L4800/152	8.000	800	4,0	152	60	3,16	4301/LDT	113,00	1
L4800/168	8.000	800	4,0	168	60	3,51	4301/LDT	124,00	1
L4900/114	9.000	800	3,4	114	60	2,74	4301/LDT	82,00	1
L4900/127	9.000	800	3,6	127	60	3,01	4301/LDT	97,00	1
L4900/139	9.000	800	3,8	139	60	3,36	4301/LDT	112,00	1
L4900/152	9.000	800	4,0	152	60	3,56	4301/LDT	129,00	1
L4900/168	9.000	800	4,0	168	60	3,95	4301/LDT	139,00	1
L4900/193	9.000	800	4,0	193	60	4,30	4301/3	161,0	1
L41000/127	10.000	800	3,6	127	60	3,35	4301/LDT	107,00	1
L41000/139	10.000	800	3,8	139	60	3,73	4301/LDT	124,00	1
L41000/152	10.000	800	4,0	152	60	4,06	4301/LDT	142,00	1
L41000/168	10.000	800	4,0	168	60	4,39	4301/LDT	153,00	1
L41000/193	10.000	800	4,0	193	60	4,70	4301/3	177,00	1
L41100/139	11.000	800	3,8	139	60	4,11	4301/LDT	139,00	1
L41100/152	11.000	800	4,0	152	60	4,35	4301/LDT	155,00	1
L41100/168	11.000	800	4,0	168	60	4,83	4301/LDT	172,00	1
L41100/193	11.000	800	4,0	193	60	5,13	4301/3	197,00	1
L41200/152	12.000	800	4,0	152	60	4,74	4301/LDT	171,00	1
L41200/168	12.000	800	4,0	168	60	5,27	4301/LDT	186,00	1
L41200/193	12.000	800	4,0	193	60	5,80	4301/3	211,00	1



On request can be produced poles with different diameters and lengths other than those listed

Conical steel lighting poles process



Conical sheet steel lighting poles

Hot galvanized steel as per UNI EN ISO 1461:
Standard processes to the pole pag. 6



article	L mm	l mm	s mm	D mm	d mm	m ²	door article	weight kg	qty pack
4360	3.500	500	3	95	60	0,85	4300/LDT	20,00	1
4400	4.000	500	3	100	60	1,00	4300/LDT	24,00	1
4460	4.500	500	3	105	60	1,17	4300/LDT	28,00	1
4500	5.000	500	3	110	60	1,34	4300/LDT	32,00	1
4560	5.500	500	3	115	60	1,51	4300/LDT	37,00	1
4560/4	5.500	500	4	115	60	1,51	4300/LDT	48,00	1
4600	6.000	500	3	120	60	1,70	4300/LDT	41,00	1
4680	6.800	800	3	128	60	2,01	4301/LDT	48,00	1
4680/4	6.800	800	4	128	60	2,01	4301/LDT	64,00	1
4780	7.800	800	3	138	60	2,43	4301/LDT	59,00	1
4780/4	7.800	800	4	138	60	2,43	4301/LDT	77,00	1
4880	8.800	800	3	148	60	2,88	4301/LDT	70,00	1
4880/4	8.800	800	4	148	60	2,88	4301/LDT	92,00	1
4930	9.300	800	3	153	60	3,11	4301/LDT	76,00	1
4930/4	9.300	800	4	153	60	3,11	4301/LDT	100,00	1
4980	9.800	800	3	158	60	3,36	4301/LDT	82,00	1
4980/4	9.800	800	4	158	60	3,36	4301/LDT	108,00	1
41030	10.300	800	3	163	60	3,61	4301/LDT	88,00	1
41030/4	10.300	800	4	163	60	3,61	4301/LDT	117,00	1
41080	10.800	800	3	168	60	3,87	4301/LDT	94,50	1
41080/4	10.800	800	4	168	60	3,87	4301/LDT	125,00	1
41130	11.300	800	3	173	60	4,14	4301/LDT	102,00	1
41130/4	11.300	800	4	173	60	4,14	4301/LDT	133,00	1
41180/4	11.800	800	4	178	60	4,41	4301/3	143,00	1
41230/4	12.300	800	4	183	60	4,69	4301/3	152,00	1
41280/4	12.800	800	4	188	60	4,99	4301/3	162,00	1

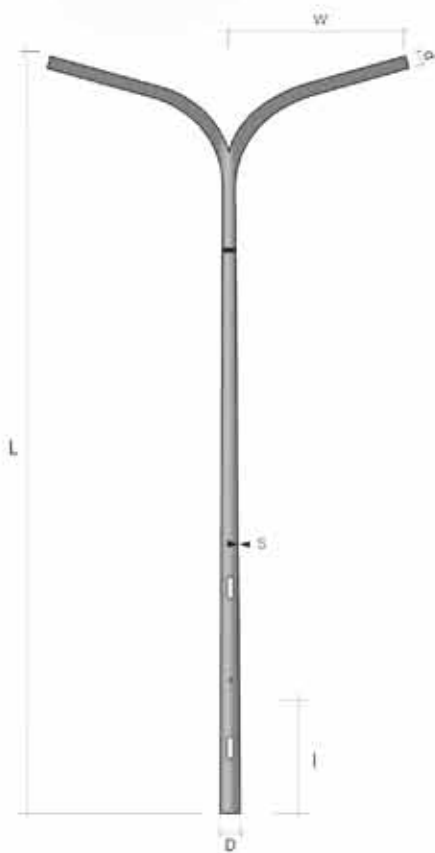
Conical curved sheet steel lighting poles



CURVED WITH SINGLE BRACKET

Hot galvanized steel as per UNI EN ISO 1461: Standard processes to the pole pag. 6

article	L mm	l mm	w mm	s mm	D mm	d mm	m ²	door article	weight kg	qty pack
ABRUZZO	8.600	800	1.200	3	153	60	3,11	4301/LDT	76,00	1
BASILICATA	8.800	800	2.500	4	163	60	3,61	4301/LDT	117,00	1
CALABRIA	8.800	800	2.500	3	163	60	3,61	4301/LDT	88,00	1
CASILINA	7.800	800	1.750	3	148	60	2,88	4301/LDT	70,00	1
DOMIZIANA	9.800	800	2.500	3	173	60	4,14	4301/LDT	101,00	1
FLAMINIA	8.000	800	2.250	3	153	60	3,11	4301/LDT	76,00	1
MARCHE	10.400	800	1.500	3	173	60	4,14	4301/LDT	101,00	1
OSTIENSE	9.800	800	2.500	4	173	60	4,14	4301/LDT	134,00	1
PRENESTINA	10.800	800	2.500	4	183	60	4,69	4301/3	152,00	1
UMBRIA	9.600	800	1.200	3	163	60	3,61	4301/LDT	88,00	1



CURVED WITH DOUBLE BRACKETS

Hot galvanized steel as per UNI EN ISO 1461: Standard processes to the pole pag. 6

article	L mm	l mm	w mm	s mm	D mm	d mm	m ²	door article	weight kg	qty pack
CAPODICHINO	9.800	800	2.500	3	173	60	5,20	4301/LDT	130,00	1
ETNA	10.800	800	2.500	4	183	60	5,20	4301/3	179,00	1
LINATE	8.800	800	2.500	3	163	60	4,50	4301/LDT	116,00	1
STROMBOLI	9.800	800	2.500	4	173	60	5,20	4301/LDT	161,00	1
VESUVIO	8.800	800	2.500	4	163	60	4,50	4301/LDT	116,00	1

The double arms is always delivered disassembled and prepared for the coupling with setscrews.



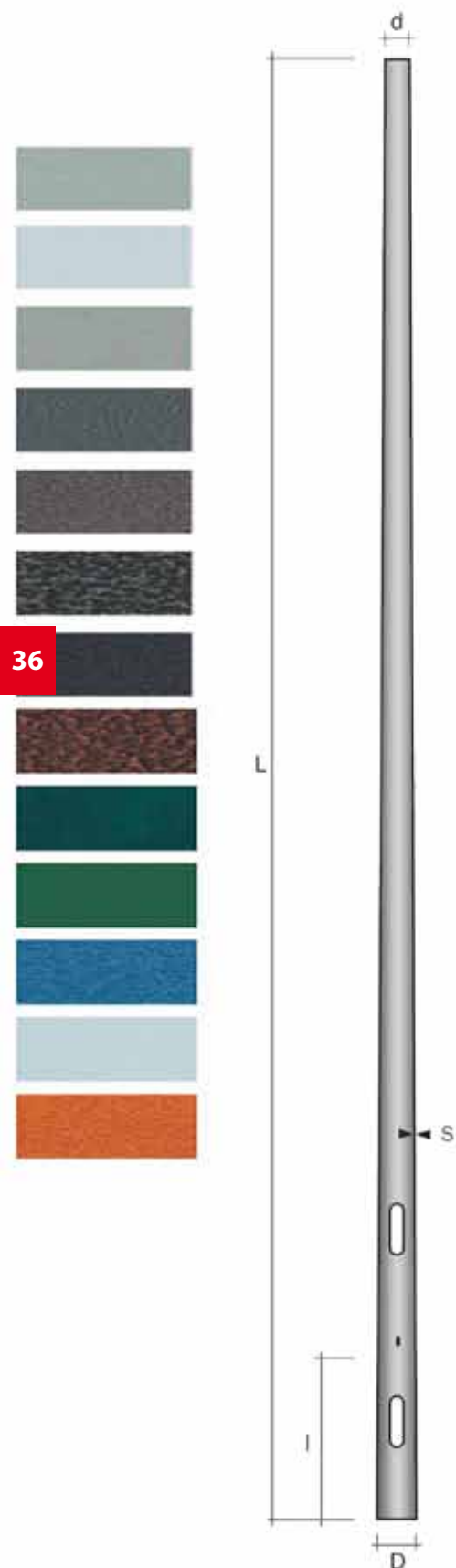
HSP Hot rolled Conical steel lighting poles

Hot galvanized steel as per UNI EN ISO 1461:
Standard processes to the pole pag. 6

article	L mm	l mm	s mm	D mm	d mm	m ²	door article	weight kg	qty pack
L4400	4.000	500	3,2	88,9	60	0,98	4300/LDT	29,00	1
L4450	4.500	500	3,2	88,9	60	1,10	4300/LDT	31,50	1
L4520	5.200	500	3,2	88,9	60	1,26	4300/LDT	38,50	1
L4600/89	6.000	500	3,2	88,9	60	1,45	4300/LDT	41,00	1
L4600/102	6.000	500	3,2	101,6	60	1,60	4300/LDT	47,00	1
L4600	6.000	500	3,4	114,3	60	1,72	4300/LDT	57,00	1
L4680	6.800	800	3,4	114,3	60	1,94	4301/LDT	63,00	1
L4680/127	6.800	800	3,6	127	60	2,15	4301/LDT	69,00	1
L4780/114	7.800	800	3,4	114,3	60	2,30	4301/LDT	73,00	1
L4780	7.800	800	3,6	127	60	2,45	4301/LDT	81,00	1
L4880/114	8.800	800	3,4	114,3	60	2,55	4301/LDT	81,00	1
L4880	8.800	800	3,6	127	60	2,75	4301/LDT	95,00	1
L4880/139	8.800	800	3,8	139,7	60	2,93	4301/LDT	111,00	1
L4930/114	9.300	800	3,4	114	60	2,63	4301/LDT	85,00	1
L4930/127	9.300	800	3,6	127	60	2,90	4301/LDT	98,00	1
L4930/139	9.300	800	3,8	139,7	60	3,09	4301/LDT	114,00	1
L4980	9.800	800	3,6	127	60	3,05	4301/LDT	102,00	1
L4980/1	9.800	800	3,8	139,7	60	3,25	4301/LDT	125,00	1
L4980/152	9.800	800	4	152,4	60	3,82	4301/LDT	137,00	1
L4980/168	9.800	800	4	168,3	60	4,09	4301/LDT	158,00	1
L41030/127	10.300	800	3,6	127	60	3,20	4301/LDT	108,00	1
L41030/139	10.300	800	3,8	139,7	60	3,42	4301/LDT	125,00	1
L41080/127	10.800	800	3,6	127	60	3,35	4301/LDT	116,00	1
L41080	10.800	800	3,8	139,7	60	3,58	4301/LDT	133,00	1
L41080/1	10.800	800	4	152,4	60	4,20	4301/LDT	159,00	1
L41080/168	10.800	800	4	168,3	60	4,50	4301/LDT	170,00	1
L41130/127	11.300	800	3,6	127	60	3,50	4301/LDT	120,00	1
L41130/139	11.300	800	3,8	139,7	60	3,74	4301/LDT	134,00	1
L41230/139	12.300	800	3,8	139,7	60	4,06	4301/LDT	147,00	1
L41230/168	12.300	800	4	168,3	60	5,10	4301/LDT	188,00	1
L41280/139	12.800	800	3,8	139,7	60	4,22	4301/LDT	144,00	1
L41280/152	12.800	800	4	152,4	60	4,96	4301/LDT	172,00	1
L41280/168	12.800	800	4	168,3	60	5,31	4301/LDT	190,00	1

Maximum diameter 193,00 mm

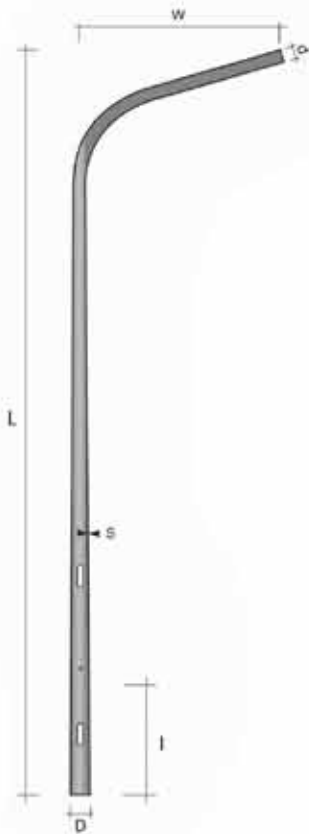
On request can be produced poles with different diameters and lengths other than those listed



HSP Hot rolled Conical curved steel lighting poles

CURVED WITH SINGLE BRACKET

Hot galvanized steel UNI EN ISO 1461: Standard processes to the pole pag. 6



article	L mm	l mm	w mm	s mm	D mm	d mm	m ²	door article	weight kg	qty pack
ABRUZZO127	8.600	800	1.200	3,6	127	60	2,80	4301/LDT	90,00	1
APPIA152	11.900	800	2.750	4,0	152	60	4,70	4301/LDT	162,00	1
BASILICATA139	8.800	800	2.500	3,8	139	60	3,31	4301/LDT	113,00	1
CALABRIA127	8.800	800	2.500	3,6	127	60	3,10	4301/LDT	106,00	1
CASILINA127	7.800	800	1.750	3,6	127	60	2,60	4301/LDT	88,00	1
DOMIZIANA127	9.800	800	2.500	3,6	127	60	2,80	4301/LDT	120,00	1
EMILIA127	10.100	800	2.700	3,6	127	60	3,40	4301/LDT	120,00	1
FLAMINIA127	8.000	800	2.250	3,6	127	60	2,80	4301/LDT	90,00	1
LIGURIA139	10.900	800	2.700	3,8	139	60	4,00	4301/LDT	141,00	1
LOMBARDIA139	9.800	800	2.500	3,6	127	60	2,80	4301/LDT	140,00	1
MARCHE127	10.400	800	1.500	3,6	127	60	3,40	4301/LDT	120,00	1
MOLISE114	8.600	800	1.200	3,4	114	60	2,60	4301/LDT	85,00	1
NOMENTANA152	11.900	800	2.500	4,0	152	60	3,70	4301/LDT	164,00	1
OSTIENSE139	9.800	800	2.500	3,8	139	60	3,70	4301/LDT	140,00	1
PRENESTINA139	10.800	800	2.500	3,8	139	60	4,00	4301/LDT	152,00	1
ROMAGNA139	9.100	800	2.500	3,8	139	60	3,42	4301/LDT	120,00	1
SEMPIONE127	8.600	800	2.700	3,6	127	60	3,20	4301/LDT	106,00	1
UMBRIA127	9.600	800	1.200	3,6	127	60	3,20	4301/LDT	106,00	1
OROBIA152	9300	800	4.200	4,0	152	60	4,23	4301/LDT	158,00	1
CILENTO139	9800	800	2.900	3,8	139	60	3,47	4301/LDT	122,00	1
IRPINIA139	11300	800	2.900	3,8	139	60	3,95	4301/LDT	144,00	1

CURVED WITH DOUBLE BRACKETS

Hot galvanized steel UNI EN ISO 1461: Standard processes to the pole pag. 6



article	L mm	l mm	w mm	s mm	D mm	d mm	m ²	door article	weight kg	qty pack
AURELIA152	11.900	800	2.700	4,0	152	60	5,50	4301/LDT	185,0	1
CAPODICHINO127	9.800	800	2.500	3,6	127	60	4,19	4301/LDT	135,0	1
ETNA139	10.800	800	2.500	3,8	139	60	4,32	4301/LDT	160,0	1
FRIULI139	10.900	800	2.700	3,8	139	60	5,10	4301/LDT	160,0	1
LINATE127	9.000	800	2.500	3,6	127	60	4,19	4301/LDT	125,0	1
MALPENSA127	9.100	800	2.700	3,6	127	60	4,20	4301/LDT	125,0	1
MONFERRATO139	10.100	800	2.700	3,8	139	60	4,80	4301/LDT	150,0	1
SALARIO152	11.900	800	2.500	4,0	152	60	4,46	4301/LDT	185,0	1
STROMBOLI139	10.000	800	2.500	3,6	139	60	4,32	4301/LDT	150,0	1
VERSILIA152	9.100	800	2.700	4,0	152	60	4,50	4301/LDT	140,0	1
VESUVIO139	9.000	800	2.500	3,8	139	60	4,32	4301/LDT	140,0	1

The double arms is always delivered disassembled and prepared for the coupling with setscrews.



Polygonal conical lighting poles for sports facilities

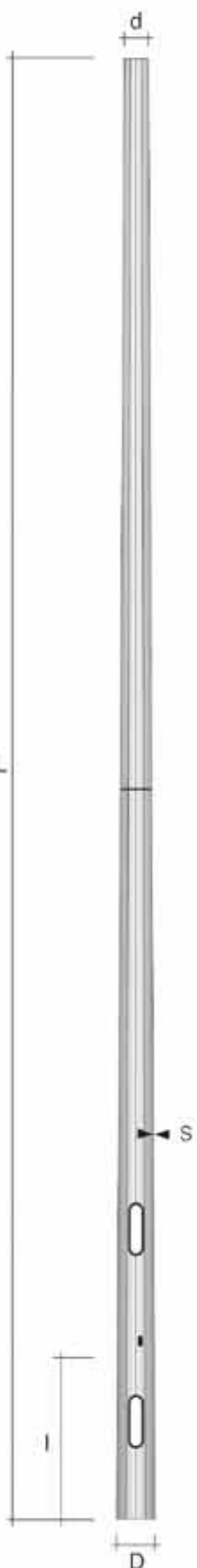
CONIC SECTIONS POLYGONAL POLE PLUG-IN LOGS

Hot galvanized steel.

Standard processes on the pole (pag.6).

Accessories – (cross bar) see pag. 43

article	L mm	l mm	s mm	D mm	d mm	section n. side	weight kg	m2	qty pack
PP14	14.000	1.000	4/4	300	100	12	304,00	9,00	1
PP15	15.000	1.000	4/4	300	100	12	319,00	9,62	1
PP16	16.000	1.000	4/4	300	100	12	333,00	10,24	1
PP17	17.000	1.000	4/4	300	100	12	348,00	10,87	1

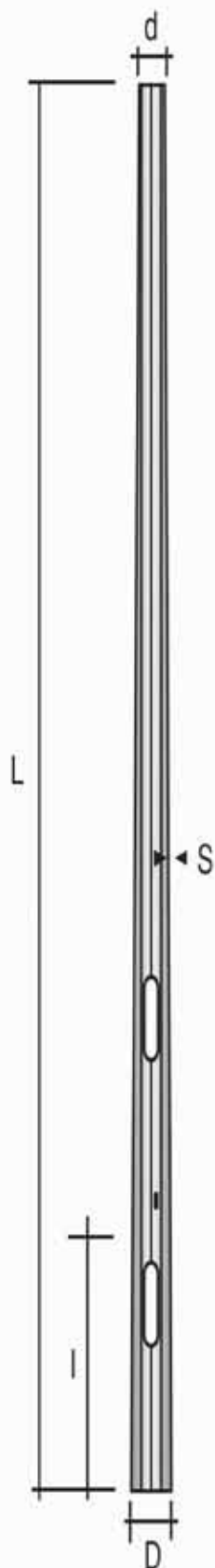


Octagonal lighting poles

OCTAGONAL POLE

Hot galvanized steel.

Standard processes on the pole (pag.6).



article	L mm	l mm	s mm	D mm	d mm	m ²	door article	weight kg	qty pack
OTT35/3	3.500	500	3	97	60	0,80	/	21,0	1
OTT40/3	4.000	500	3	102	60	1,00	/	25,0	1
OTT45/3	4.500	500	3	107	60	1,10	/	28,0	1
OTT55/3	5.500	500	3	117	60	1,50	/	37,0	1
OTT68/3	6.800	800	3	131	60	2,00	4301/OTT	48,0	1
OTT78/3	7.800	800	3	141	60	2,40	4301/OTT	58,0	1
OTT78/4	7.800	800	4	141	60	2,40	4301/OTT	77,0	1
OTT88/3	8.800	800	3	151	60	2,90	4301/OTT	69,0	1
OTT88/4	8.800	800	4	151	60	2,90	4301/OTT	91,0	1
OTT98/3	9.800	800	3	162	60	3,40	4301/OTT	81,0	1
OTT98/4	9.800	800	4	162	60	3,40	4301/OTT	107,0	1
OTT108/3	10.800	800	3	172	60	3,90	4301/OTT	93,0	1
OTT108/4	10.800	800	4	172	60	3,90	4301/OTT	123,0	1
OTT118/4	11.800	800	4	182	60	4,40	4301/OTT	141,0	1

Light tower to fixed platform

LIGHTING TOWER TRUNCATED PYRAMID WITH A POLYGONAL SECTION

Steel quality S355 JR (Fe510 B) UNI EN 10025 full –ladder inspection and continuous modular ,fitted with metal cage, terrace inspection and terrace off.

In steel quality S235 JR (Fe 360 B) UNI EN 10025:

Hot galvanized steel UNI EN ISO 1461. Hardware class 8.8.

article	L mm	l mm	s mm	D mm	d mm	m ²	Square terrace off n°	weight kg	qty pack
TFPF16	17.000	1.000	4-4	400	180	16,00	1	498,00	1
TFPF20	21.500	1.500	4-4	480	200	23,00	2	760,00	1
TFPF25	26.500	1.500	5-4-4	600	200	36,00	2	1.220,00	1



Inspection ladder
fitted with
metallic cage



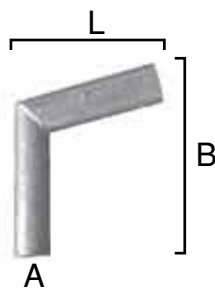
TR100150
Rectangular terrace
inspection
1000x1200 mm

TQ120
Square
terrace off
680x890 mm



Cross bar for light tower
TT200 100x2000 mm
TT250 100x2500 mm

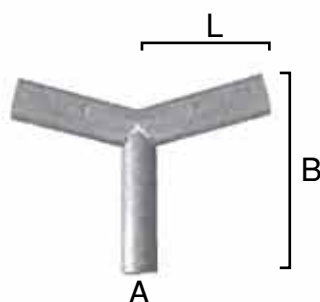
Top of pole – cross bar for poles-brackets for street lighting poles



SINGLE TOP OF POLE 15° INCLINATION

Hot galvanized steel

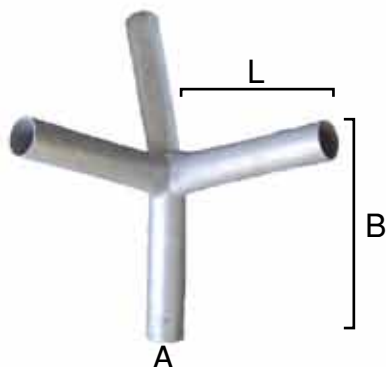
article	fixing with	Ø top of pole mm	A mm	B Lift mm	L Projection mm	weight kg	qty pack	m ²
4311	screws	60	70	250	250	2,45	1	0,11
4315	screws	60	70	250	1.000	5,85	1	0,24
4315/1	screws	60	70	250	1.500	8,00	1	0,34



DOUBLE TOP OF POLE 15° INCLINATION

Hot galvanized steel

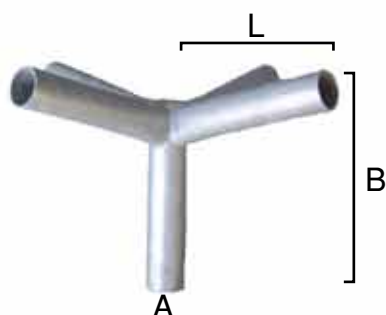
article	fixing with	Ø top of pole mm	A mm	B Lift mm	L Projection mm	weight kg	qty pack	m ²
4312	screws	60	70	250	250	3,60	1	0,16
4312/90	screws	60	70	250	250	3,60	1	0,16
4316	screws	60	70	250	1.000	10,30	1	0,43
4316/1	screws	60	70	250	1.500	14,80	1	0,50



TRIPLE TOP OF POLE 15° INCLINATION

Hot galvanized steel

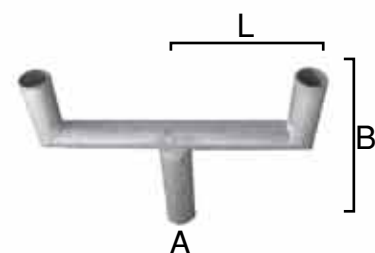
article	fixing with	Ø top of pole mm	A mm	B Lift mm	L Projection mm	weight kg	qty pack	m ²
4313	screws	60	70	250	300	5,65	1	0,24



QUADRUPLE TOP OF POLE 15° INCLINATION

Hot galvanized steel

article	fixing with	Ø top of pole mm	A mm	B Lift mm	L Projection mm	weight kg	qty pack	m ²
4314	screws	60	70	250	300	7,00	1	0,29



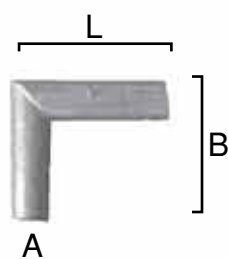
CROSS BAR

Hot galvanized steel

article	fixing with	Ø top of pole mm	A mm	B Lift mm	L Projection mm	weight kg	qty pack	m ²
4312/1	screws	60	70	250	250	5,00	1	0,21



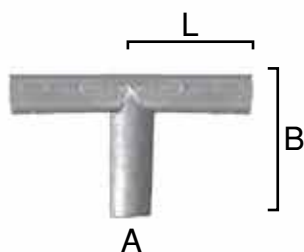
Top of pole – cross bar for lighting poles-brackets for street lighting poles



SINGLE TOP OF POLE 90°

Hot galvanized steel.

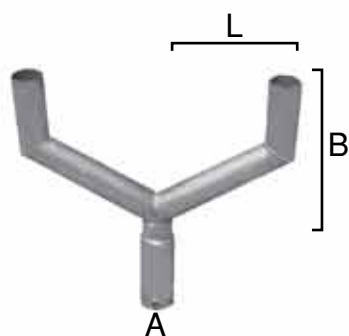
article	fixing with	Ø top of pole mm	A mm	B Lift mm	L Projection mm	weight kg	qty pack	m ²
4311/0	screws	60	70	250	250	2,45	1	0,11
4315/10	screws	60	70	250	1.000	5,85	1	0,24
4315/15	screws	60	70	250	1.500	8,00	1	0,34



DOUBLE TOP OF POLE 90°

Hot galvanized steel.

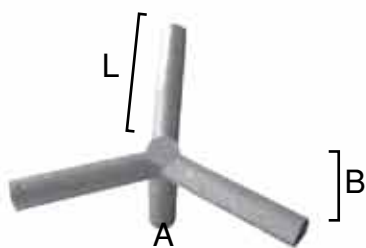
article	fixing with	Ø top of pole mm	A mm	B Lift mm	L Projection mm	weight kg	qty pack	m ²
4312/0	screws	60	70	250	250	3,60	1	0,16
4316/10	screws	60	70	250	1.000	10,30	1	0,43
4316/15	screws	60	70	250	1.500	14,80	1	0,50



DOUBLE TOP OF POLE "CORNA" UNIFIED SUPPORTS

Hot galvanized steel.

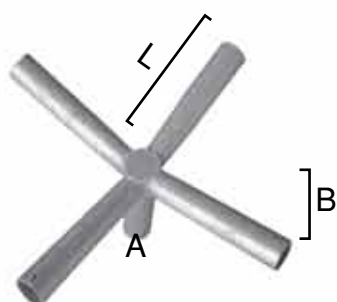
article	fixing with	Ø top of pole mm	A mm	B Lift mm	L Projection mm	weight kg	qty pack	m ²
4225	screws	76	89	250	250	3,60	1	0,17



TRIPLE TOP OF POLE 90°

Hot galvanized steel.

article	fixing with	Ø top of pole mm	A mm	B Lift mm	L Projection mm	weight kg	qty pack	m ²
4313/0	screws	60	70	250	300	5,65	1	0,24



QUADRUPLE TOP OF POLE 90°

Hot galvanized steel.

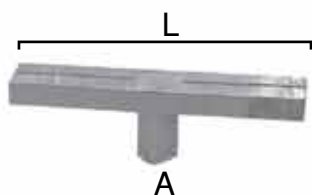
article	fixing with	Ø top of pole mm	A mm	B Lift mm	L Projection mm	weight kg	qty pack	m ²
4314/0	screws	60	70	250	300	7,00	1	0,29



Top of pole – cross bar for lighting poles-brackets for street lighting poles

CROSS BAR

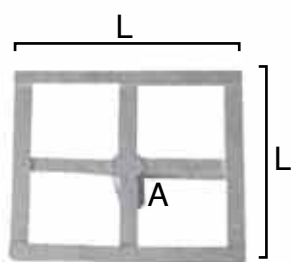
Hot galvanized steel.



article	fixing with	Ø top of pole mm	A mm	L mm	weight kg	qty pack	m ²
4319	screws	60	70	250	2,20	1	0,09
4320	screws	60	70	500	3,30	1	0,13
4321	screws	60	70	1.000	6,00	1	0,21
4322	screws	60	70	1.500	7,50	1	0,29
4322/OTT	screws	100	114	1.500	9,50	1	0,38

SQUARED CROSS BAR

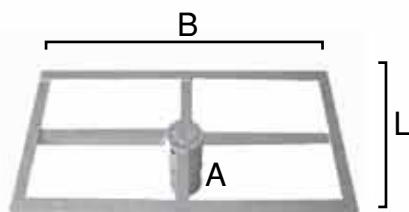
Hot galvanized steel.



article	fixing with	Ø top of pole mm	A mm	L mm	weight kg	qty pack	m ²
4320/Q	screws	100	114	500	18,50	1	0,73

RECTANGULAR CROSS BAR

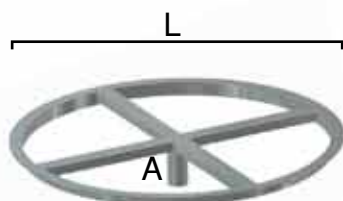
Hot galvanized steel.



article	fixing with	Ø top of pole mm	A mm	L mm	B mm	weight kg	qty pack	m ²
4321/RETT	screws	100	114	500	1.000	20,50	1	0,81

CIRCULAR CROSS BAR

Hot galvanized steel.



article	fixing with	Ø top of pole mm	A mm	L mm	weight kg	qty pack	m ²
4321/CIR	screws	100	114	900	17,00	1	0,70
4321/CIR1	screws	100	114	1.000	19,00	1	0,77

CROSS BAR WITH DOUBLE ARMS

Hot galvanized steel.



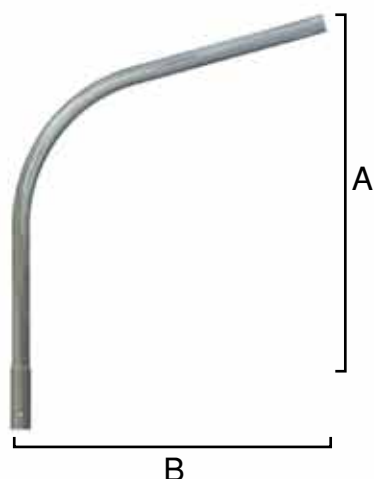
article	fixing with	Ø top of pole mm	A mm	D mm	L mm	weight kg	qty pack	m ²
4220	screws	60	70	60	500	5,50	1	0,24
4221	screws	60	70	60	1.000	8,00	1	0,35



Brackets for street lighting poles

SINGLE BRACKET

Ø 60 mm for steel lighting poles with a length greater than 6 mt.



article	Ø top of pole mm	A mm	B mm	r mm	weight kg	qty pack	m ²
4332/0	60	500	750	500	5,00	1	0,24
4332/05	60	1.000	1.000	500	8,50	1	0,35
4332/1	60	1.000	1.500	500	10,60	1	0,44
4332/2	60	1.500	1.500	1.000	12,60	1	0,53
4332/3	60	1.500	2.000	1.000	14,40	1	0,60
4332/4	60	2.000	2.000	1.000	16,60	1	0,70
4332/5	60	2.000	2.500	1.000	19,00	1	0,79

COUPLER FOR MULTI-ARMS

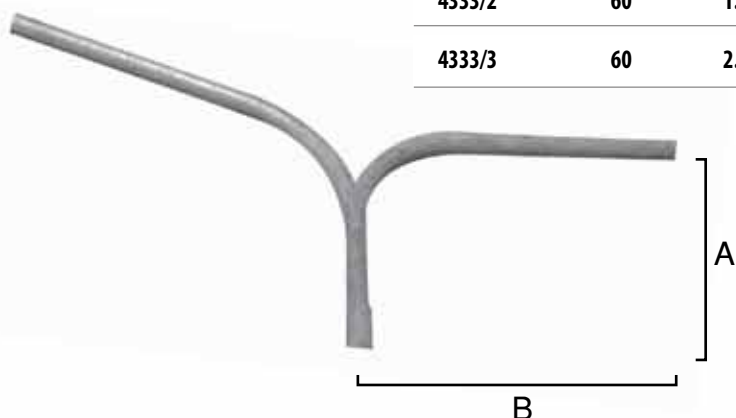
To install nr 02 or 03 brackets with different angle from 180° , the coupler must be placed between the lighting pole and the brackets.



article	description	n° bracci	Ø top of pole mm	weight kg	qty pack
4330/2	for steel poles	2	60	5,00	1
4330/3	for steel poles	3	60	6,50	1

DOUBLE BRACKET

Ø 60 mm brackets to 180°: for steel lighting poles with a length greater than 6 mt



article	Ø top of pole mm	A mm	B mm	r mm	weight kg	qty pack	m ²
4333/05	60	1.000	1.000	500	14,55	1	0,71
4333/1	60	1.000	1.500	500	19,20	1	0,81
4333/2	60	1.500	1.500	1.000	22,00	1	1,00
4333/3	60	2.000	2.000	1.000	29,00	1	1,32



Conical Fibreglass lighting poles

Surface of pole protected against UV rays and against environmental and chemicals aggressions. Provided with a hole for cables and slot door.

Material features

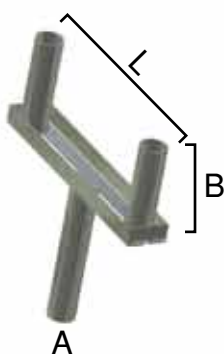
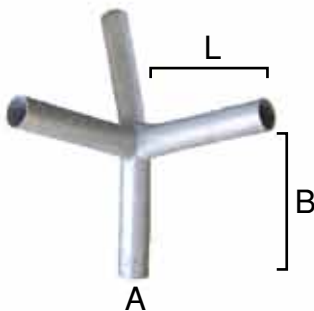
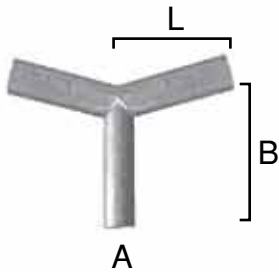
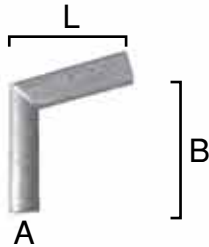
Material features	Value	Reference Rule
Composition glass fibre quantity	> 40 %	/
Volumetric mass	1,45 g/cm ³	UNI 7092 - 72
Resilience without carving	> 140 kJ/cm ²	ASTM D 256
Water Absorption	< 0,5 %	UNI ISO 62
Traction breaking load	> 2.000 kJ/cm ²	UNI EN 61
Compression breaking load	> 1.500 kJ/cm ²	UNI 4279
Bending breaking load	> 1.600 kJ/cm ²	UNI EN 63
Bending elasticity	> 160.000 kJ/cm ²	UNI EN 63
Superficial Hardness	> 40 °Barcol	UNI EN 59
Dielectric Strength	> 5 KV/mm	UNI 4291
Superficial resistivity	> 4 10 ¹² Ω	UNI 4288
Volumetric resistivity	> 7 10 ¹² Ω/cm	UNI 4288
Self-extinguishing	< 120 sec	ASTM D 635
Ultraviolet rays resistivity	-	ASTM G 23
Superficial finish	> Level I	ASTM D 2563



article	L mm	I mm	D mm	d mm	hF mm	thickness mm	colour	door article	weight kg	qty pack
VRC360G	3.600	600	124	60	300	4	gray	4300/P	6,50	1
VRC360N	3.600	600	124	60	300	4	black	4300/PN	6,50	1
VRC400G	4.000	400	138	60	300	5	gray	4300/P	7,00	1
VRC460G	4.600	600	143	60	300	4	gray	4300/P	9,00	1
VRC460N	4.600	600	143	60	300	4	black	4300/PN	9,00	1
VRC480G	4.800	800	161	75	300	4	gray	on request	11,00	1
VRC480N	4.800	800	161	75	300	4	black	on request	11,00	1
VRC500G	5.000	500	157	60	300	5	gray	4300/P	10,00	1
VRC560G	5.600	600	160	60	300	4	gray	4300/P	12,00	1
VRC560N	5.600	600	160	60	300	4	black	4300/PN	12,00	1
VRC580G	5.800	800	179	75	500	4	gray	on request	14,00	1
VRC580N	5.800	800	179	75	500	4	black	on request	14,00	1
VRC600G	6.000	600	176	60	500	6	gray	4300/P	18,00	1
VRC680G	6.800	800	197	75	500	4	gray	4301/P	22,00	1
VRC700G	7.000	1.000	195	60	500	6	gray	4301/P	21,00	1
VRC800G	8.000	1.000	213	60	500	7	gray	4301/P	38,00	1
VRC900G	9.000	1.000	232	60	500	7	gray	4301/P	42,00	1
VRC1000G	10.000	1.000	251	60	500	8	gray	4301/P	52,00	1
VRC1160G	11.600	1.000	270	76	500	6	gray	4301/P	62,00	1

Eventual slot for door for poles VRC480G and N and VRC580G and N, dimensions must be required on the order

Top of pole – cross bar for fibreglass conical lighting poles



REDUCTION TANG Hot galvanized steel.

article	description	D mm	d mm	weight kg	qty pack
4310/Z	for poles Ø 76 mm of top - be riveted	76	60	0,60	1

SINGLE TOP OF POLE 15° Hot galvanized steel.

article	fixing with	Ø top of pole mm	A mm	B Lift mm	L Projection mm	weight kg	qty pack	m ²
4315/V	be riveted	76	60	250	250	2,70	1	0,11
4315/1V	be riveted	60	55	250	250	2,47	1	0,11
4318/V	be riveted	76	60	250	1.000	5,87	1	0,24

DOUBLE TOP OF POLE 15° Hot galvanized steel.

article	fixing with	Ø top of pole mm	A mm	B Lift mm	L Projection mm	weight kg	qty pack	m ²
4316/V	be riveted	76	60	250	250	4,00	1	0,16
4316/1V	be riveted	60	55	250	250	3,95	1	0,16
4319/V	be riveted	76	60	250	1.000	10,50	1	0,43

TRIPLE TOP OF POLE 15° Hot galvanized steel.

article	fixing with	Ø top of pole mm	A mm	B Lift mm	L Projection mm	weight kg	qty pack	m ²
4317/V	be riveted	76	60	250	300	5,45	1	0,24
4317/1V	be riveted	60	55	250	300	5,20	1	0,24

CROSS BAR Hot galvanized steel.

article	fixing with	Ø top of pole mm	A mm	L Projection mm	weight kg	qty pack	m ²
4323/V	be riveted	76	60	500	3,65	1	0,13
4323/1V	be riveted	60	55	500	3,30	1	0,13
4324/V	be riveted	76	60	1.000	6,30	1	0,21
4324/1V	be riveted	60	55	1.000	6,00	1	0,21

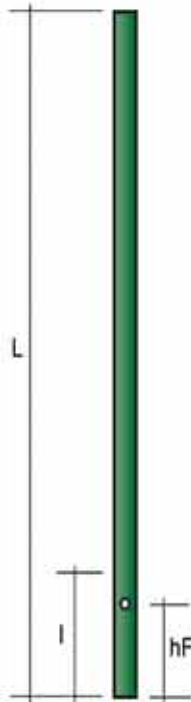
CROSS BAR Hot galvanized steel.

article	fixing with	Ø top of pole mm	A mm	B Lift mm	L Projection mm	weight kg	qty pack	m ²
4223/V	be riveted	76	60	250	500	6,50	1	0,18
4224/V	be riveted	76	60	250	1.000	9,00	1	0,24

Cylindrical fibreglass lighting poles

CYLINDRICAL FIBREGLASS LIGHTING POLE Ø 60mm

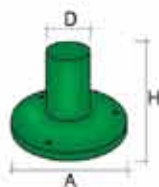
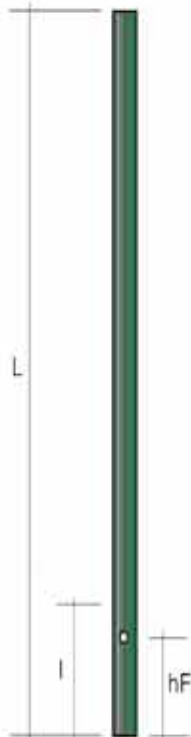
Surface of pole protected against UV rays and against environmental and chemicals aggressions. Provided with a hole for cables and slot door.



article	colour	L mm	l mm	hF mm	weight kg	qty pack
VR3100N	black	1.000	200	150	0,90	5
VR3120N	black	1.200	300	150	1,08	5
VR3150N	black	1.500	300	150	1,35	5
VR3175N	black	1.750	300	150	1,57	5
VR3200N	black	2.000	300	150	1,80	5
VR3240N	black	2.400	300	150	2,16	5
VR3250N	black	2.500	300	150	2,25	5
VR3300N	black	3.000	400	150	2,70	5
VR3350N	black	3.500	400	150	3,15	5
VR3400N	black	4.000	400	150	3,60	5

CYLINDRICAL STRIPED FIBREGLASS LIGHTING POLE Ø 60 mm

Surface of pole protected against UV rays and against environmental and chemicals aggressions. Provided with a hole for cables and slot door.



article	colour	L mm	l mm	hF mm	weight kg	qty pack
VRR3100N	black	1.000	200	150	0,84	5
VRR3150N	black	1.500	300	150	1,25	5
VRR3150V	green	1.500	300	150	1,25	5
VRR3200N	black	2.000	300	150	1,66	5
VRR3200V	green	2.000	300	150	1,66	5
VRR3250N	black	2.500	300	150	2,08	5
VRR3250V	green	2.500	300	150	2,08	5
VRR3300N	black	3.000	400	150	2,41	5
VRR3300V	green	3.000	400	150	2,41	5

SUPPORT BASE

For fibreglass lighting pole Ø 60mm (for item VR and VRR black color)

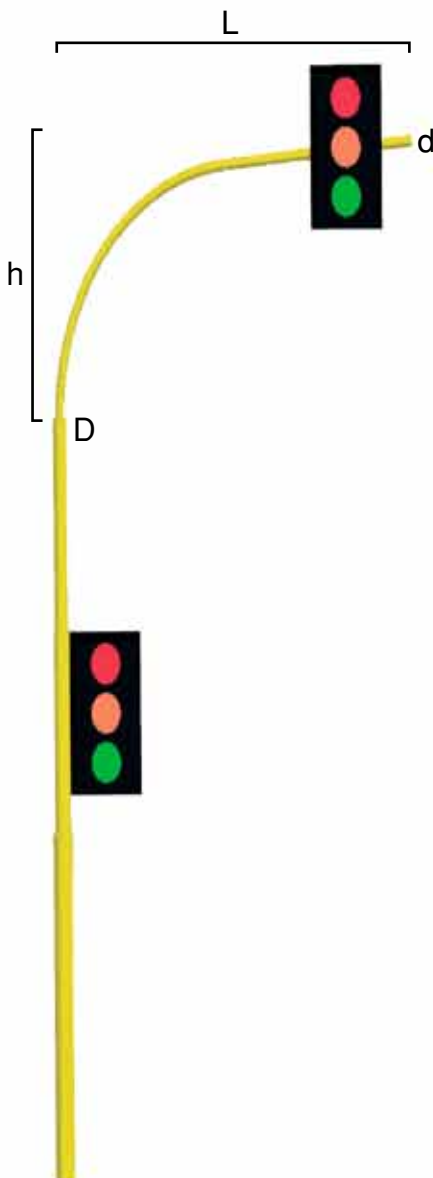
article	for article	A mm	D mm	H mm	weight kg	qty pack
VRB	VR - VRR	190	60	130	0,30	12

Tapered stepped - cylindrical traffic light signal poles

TRAFFIC LIGHT SIGNAL POLES

Hot galvanized steel or painted. With hole for cable and hole for grounding.

article	L mm	l mm	D mm	hF mm	hP mm	weight kg	qty pack	m ²
3360/S	3.600	500	102	350	650	27,00	1	1,92



ARMS FOR TRAFFIC LIGHT SIGNAL POLES

Hot galvanized steel or painted.

article	D mm	d mm	L mm	h mm	weight kg	qty	m ²
LBS4760/114-76	114	76	3.000	2.200	43,80	1	1,40
LBS6540/114-76	114	76	5.000	2.200	52,50	1	1,95



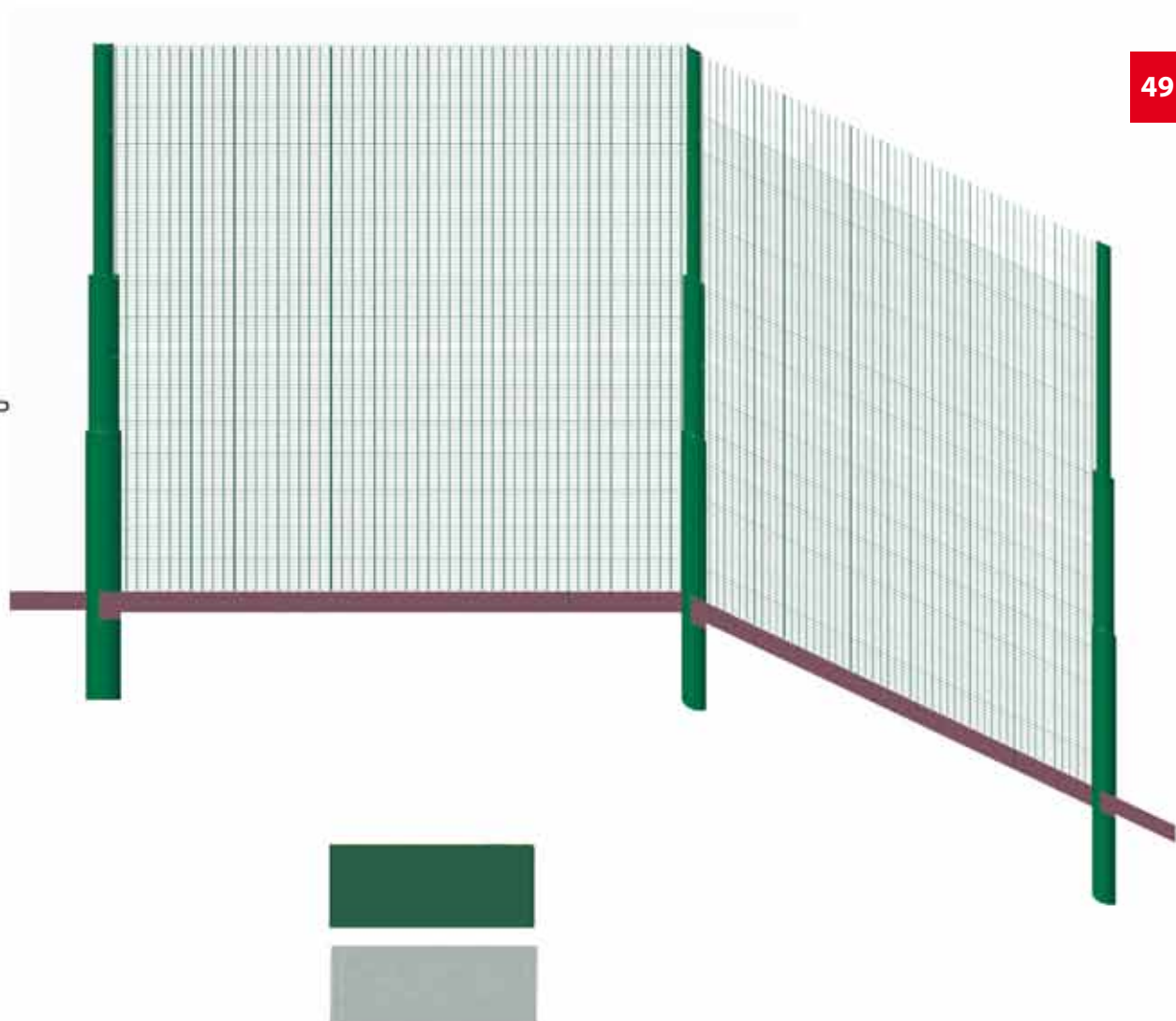
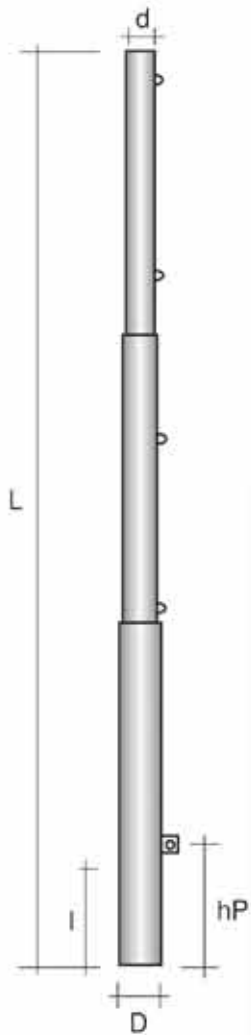
On request can be produced poles with different diameters and lengths other than those listed

Tapered stepped steel poles for fencing

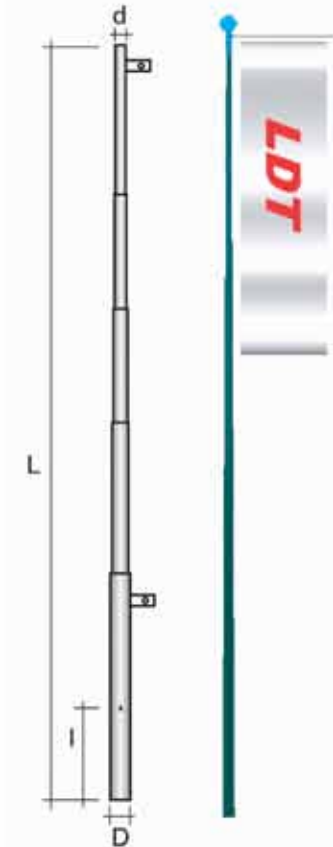
TAPERED STEPPED STEEL POLES FOR FENCING

Hot galvanized steel or painted. With hole for grounding, welded nuts and cup.

article	L mm	l mm	D mm	d mm	hP mm	weight kg	qty pack	m ²
R4700	6.800	800	102	60	900	46,00	1	1,85
R4800	7.800	800	102	60	900	53,00	1	2,12

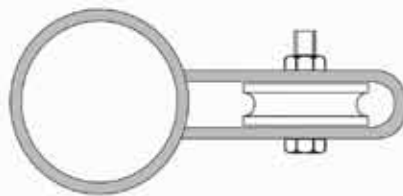


Flag raising tapered stepped steel lighting poles



Hot galvanized steel . With plastic cup, nylon pulleys, stainless steel screws, stainless steel self-locking nuts, U-bolt clamps and plastic-rope.

article	L mm	l mm	s mm	D mm	d mm	m ²	weight kg	qty pack
4704/A	6.800	800	3	114	60	1,96	47,00	1
4803/A	7.800	800	3	127	60	2,54	61,00	1
4903/A	8.800	800	3	127	60	2,77	67,00	1
4103/A	9.800	800	3	139	60	3,32	81,00	1
41103/A	10.800	800	3	139	60	3,60	88,00	1

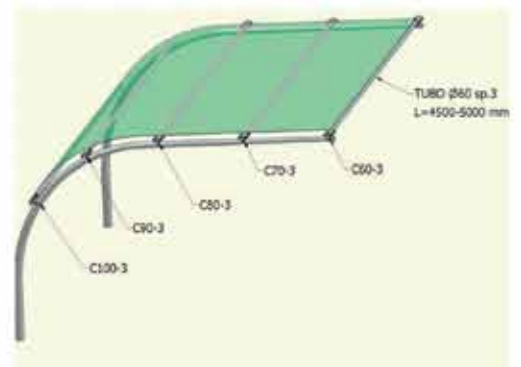
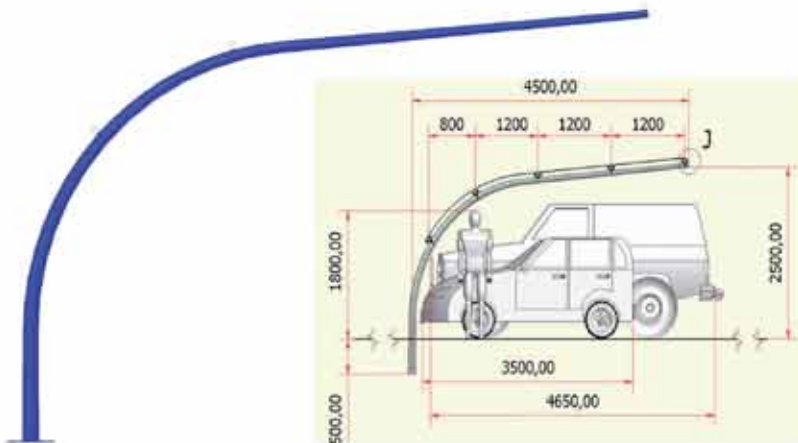


Post for parking

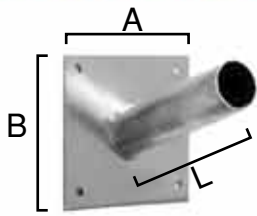


Hot galvanized steel. Pole without additional processes for covering with shade cloth. Maximum distance between the poles 2.5 meters. The pole is verified to use without loads of snow or other.

article	A mm	l mm	D mm	d mm	B mm	r mm	weight kg	qty pack	m ²
L4650	3.000	500	114	60	4.500	2.000	53,0	1	1,78



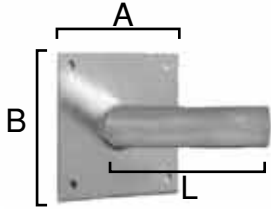
Wall mounting bracket



WALL STIRRUP

Hot galvanized steel. Bracket inclined 15°.

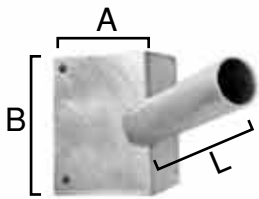
article	A mm	B mm	L Projection mm	Ø mm	weight kg	qty pack	m ²
4340	200	200	250	60	2,40	1	0,09
4343	200	200	500	60	3,60	1	0,13



WALL STIRRUP

Hot galvanized steel. Bracket inclined 90°.

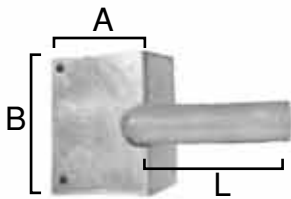
article	A mm	B mm	L Projection mm	Ø mm	weight kg	qty pack	m ²
4340/90	200	200	250	60	2,40	1	0,09



RIGHT ANGLE STIRRUP.

Hot galvanized steel. Bracket inclined 15°

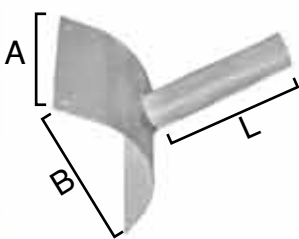
article	A mm	B mm	L Projection mm	Ø mm	weight kg	qty pack	m ²
4341	300	200	250	60	2,60	1	0,11
4344	300	200	500	60	3,80	1	0,15



RIGHT ANGLE STIRRUP

Hot galvanized steel. Bracket inclined 90°

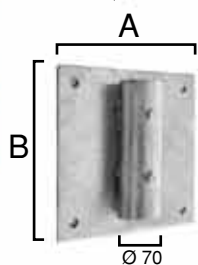
article	A mm	B mm	L Projection mm	Ø mm	weight kg	qty pack	m ²
4341/90	300	200	250	60	2,60	1	0,11



ROUNDED ANGLE STIRRUP

Hot galvanized steel. Bracket inclined 15°

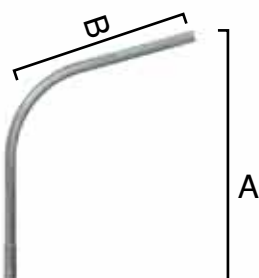
article	A mm	B mm	L Projection mm	Ø mm	weight kg	qty pack	m ²
4341/1	200	400	250	60	4,00	1	0,13
4344/1	200	400	500	60	5,00	1	0,17



WALL STIRRUP FOR BRACKETS

Hot galvanized steel. For brackets item 4332/D

article	A mm	B mm	Ø mm	weight kg	qty pack	m ²
4342	250	250	70	3,67	1	0,04

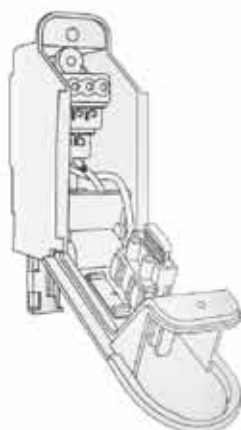


SINGLE BRACKET Ø60 mm

Hot galvanized steel. For wall stirrup item 4342.

article	A mm	B mm	r mm	weight kg	qty pack	m ²
4332/1D	1.000	1.500	500	10,60	1	0,44
4332/2D	1.500	1.500	1.000	12,60	1	0,53
4332/3D	1.500	2.000	1.000	14,40	1	0,60

Doors and Terminal blocks



DOORS WITH A LOCKING KEY

Protection degree IP 54 CEI EN 60529.

Resistance to knock IK 08 CEI EN 50102.

article	material	for slot mm	Ø pole mm	weight kg	qty pack
4300/LDT	aluminium	132x38	76 ÷ 114	0,18	1
4301/LDT	aluminium	186x45	114 ÷ 180	0,25	1
4301/3	aluminium	186x45	178 ÷ 300	0,25	1
4301/OCTAG	aluminium	186x45	178 ÷ 300	0,25	1
4300/P	nylon	132x38	76 ÷ 114	0,18	1
4300/PN	black nylon	132x38	76 ÷ 114	0,18	1
4301/P	nylon	186x45	114 ÷ 180	0,25	1
4301/RIGHT	aluminium	186 x 45	114 - 180	0,18	1

DOOR CUT FLUSH WITH POLE

Dimensions according to technical specifications.

TERMINAL BOARD DOUBLE INSULATION

Complete with fuse.

Cover perimeter protection degree IP 43 CEI EN 60529.

Cable entry protection degree IP 23 CEI EN 60529.

Resistance to knock IK 08 CEI EN 50102

article	for doors article	n° clamps x section mm ²	fuse block n° mm	weight kg	qty pack
4300/MOR	serie 4300/...	4 x 6	n° 1 da 5 x 20 - 250V	0,18	1
4300/MOR2	serie 4300/...	4 x 6	n° 2 da 5 x 20 - 250V	0,20	1
4301/MOR	serie 4301/...	4 x 16	n° 1 da 8,5 x 31,5 - 380V	0,38	1
4301/MOR2	serie 4301/...	4 x 16	n° 2 da 8,5 x 31,5 - 380V	0,40	1

Accessories for lighting poles



BASE PLATE

Hot galvanized steel or painted with the pole.

Dimensions and thickness on request second type of pole.

dimensions mm	thickness mm	Ø max mm	Ø screws mm	weight kg
250x250	10	114	M16	5,00
350x350	12	168	M18	10,00
450x450	15	219	M20	19,00



PLATE FOR LIGHTING POLES WITH BASE PLATE. THICKNESS 3MM

Hot galvanized steel. With 04 threaded bolts.

Dimensions as per the base plate.

article	P mm	Ø thread mm	a mm	weight kg	qty pack
CPR	250	16 ma	3	4,00	1
CPR	350	18 ma	3	7,50	1
CPR	450	20 ma	3	13,00	1

53



D

COUPLER BETWEEN TOP OF POLE AND BRACKET

Hot galvanized steel or painted. MATERIAL ON ORDER.

article	fixing	Ø top of pole mm	DxL mm	weight kg	qty pack
4310/B	grani	60	70x400	1,80	1



D

REDUCTION TANG

Hot galvanized steel or painted.

article	fixing	D mm	d mm	weight kg	qty pack
4310/A	screws	89	60	2,50	1

Accessories for lighting poles

SUPPORTS FOR STEEL LIGHTING POLES

Quality steel S235JOH second type of application-bridges-viaducts-walls

SP-F1



SP-F2



SP-F3



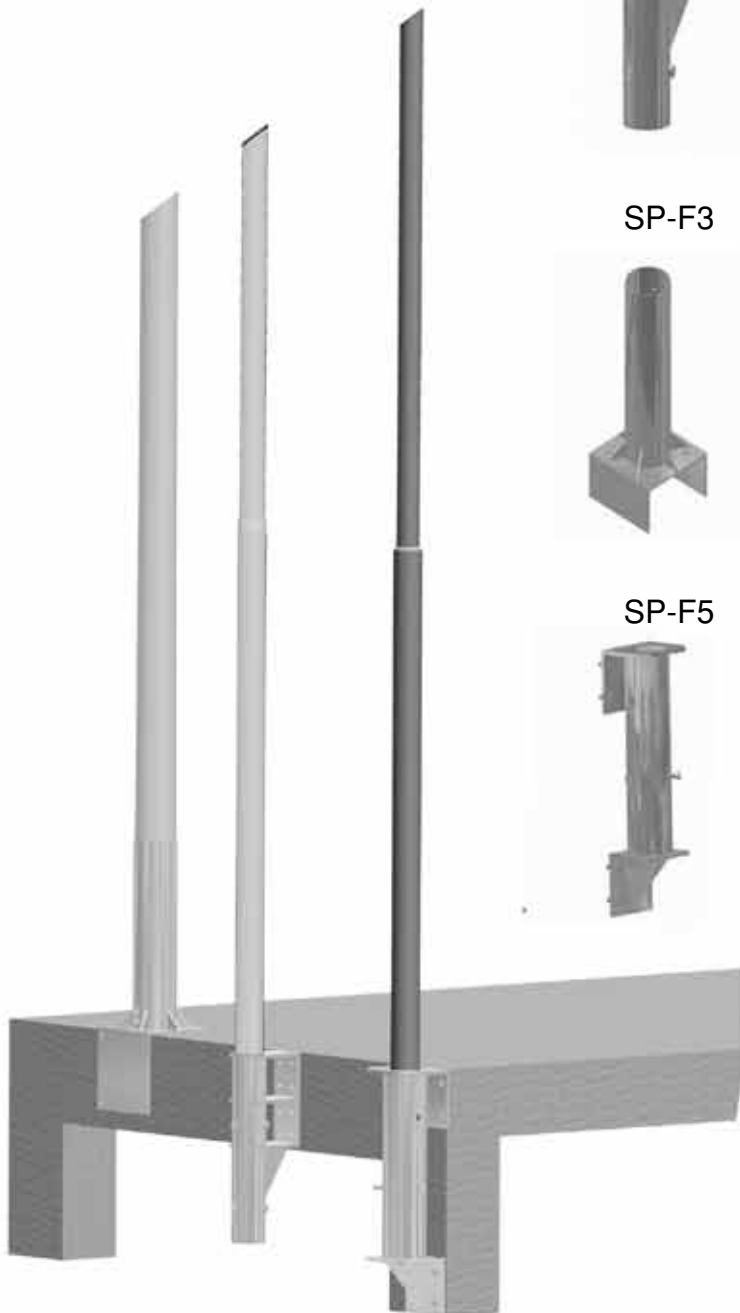
SP-F4



SP-F5



SP-F6



Dimensions as per base of pole

Accessories for lighting poles

SHRINKABLE SLEEVE

L. 450mm.

To be applied after the hot dip galvanizing.



article	Ø pole base mm	weight kg	qty pack
MT-55/80	60 ÷ 80	0,23	1
MT-81/112	81 ÷ 112	0,32	1
MT-104/150	104 ÷ 150	0,45	1
MT-153/196	153 ÷ 196	0,49	1
MT-197/250	197 - 250	0,58	1

REINFORCING STEEL SLEEVE

L. 500mm.

To be welded.

Art. MA-500



ALUMINIUM GAS CONNECTION FOR LUMINAIRE.

Threaded on request (1"-3/4"-1/2")

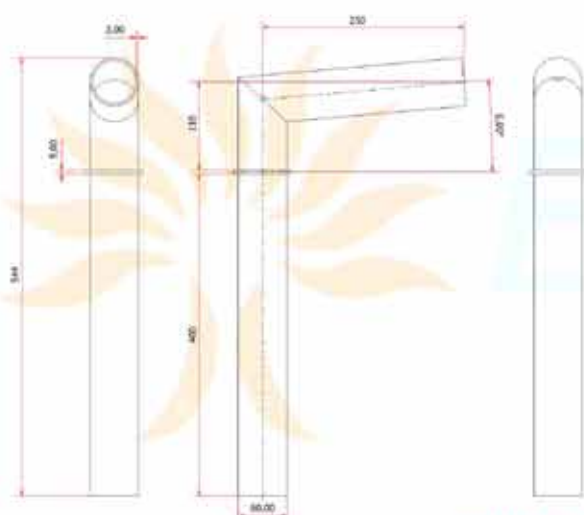
Material Teflon or inox.

Art. ATT-1"

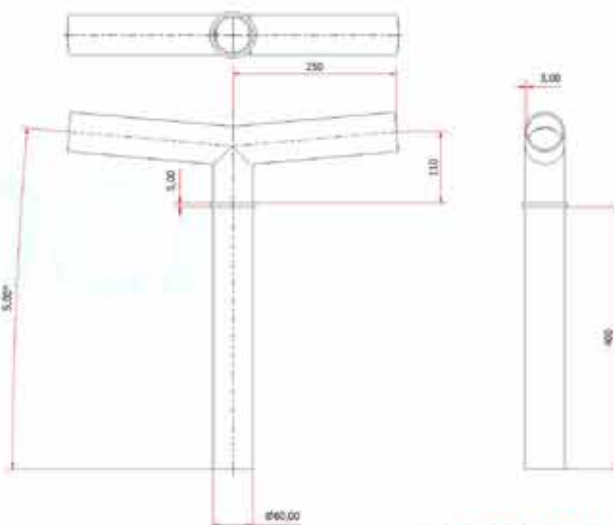
Art. ATT-3/4"

Art. ATT-1/2"

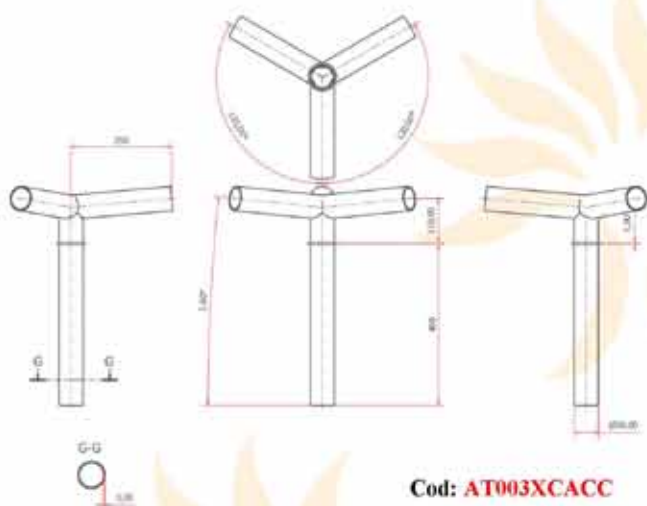
Brackets, supports and connections for tapered



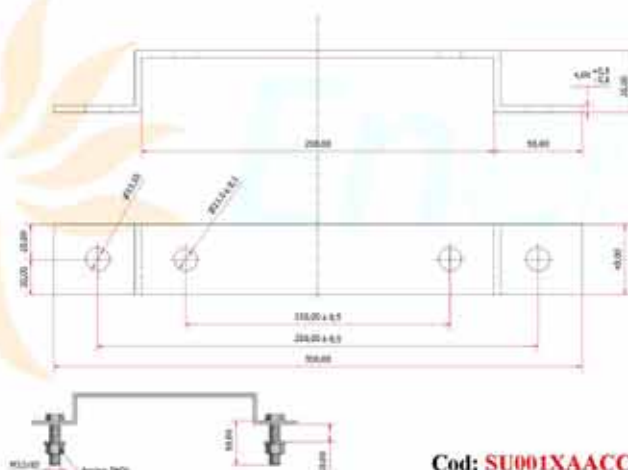
Cod: AT003XAACC



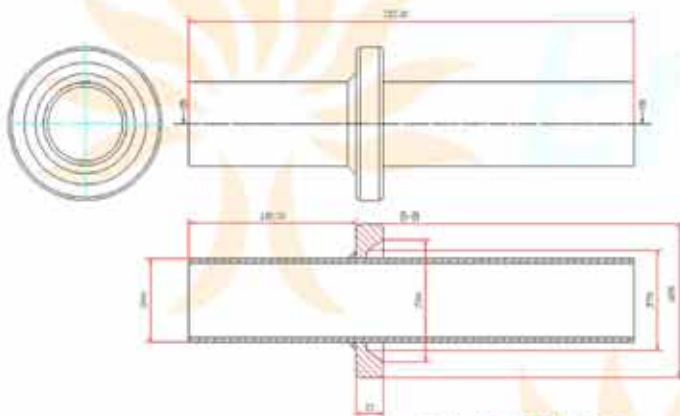
Cod: AT003XBACC



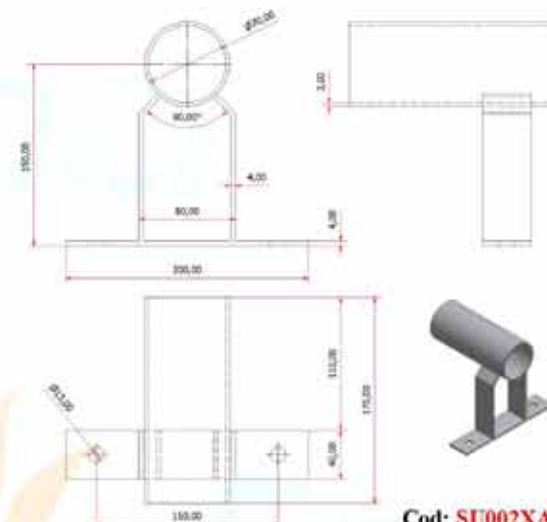
Cod: AT003XCACC



Cod: SU001XAACC



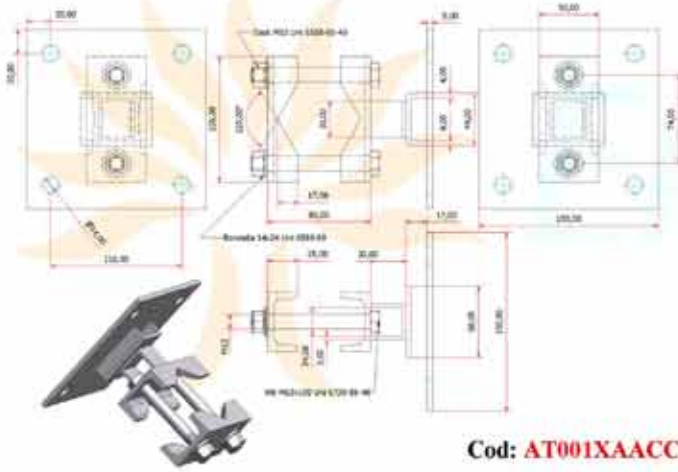
Cod: AT008XAACC



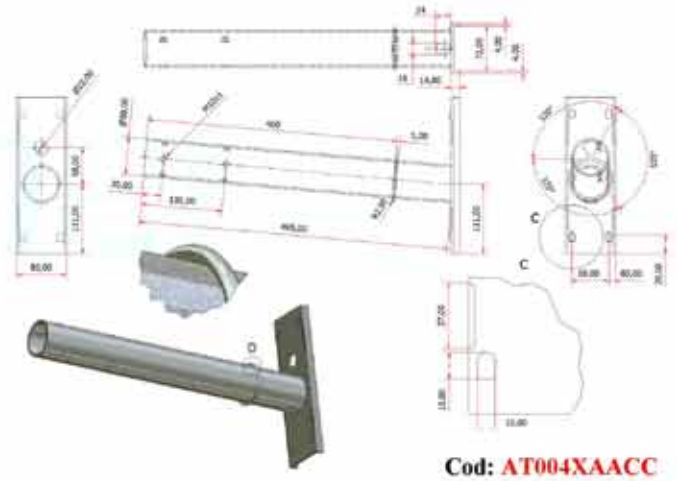
Cod: SU002XAACC

Material ; steel *S235JOH (EN 10219) - S235JR (EN 10025)*

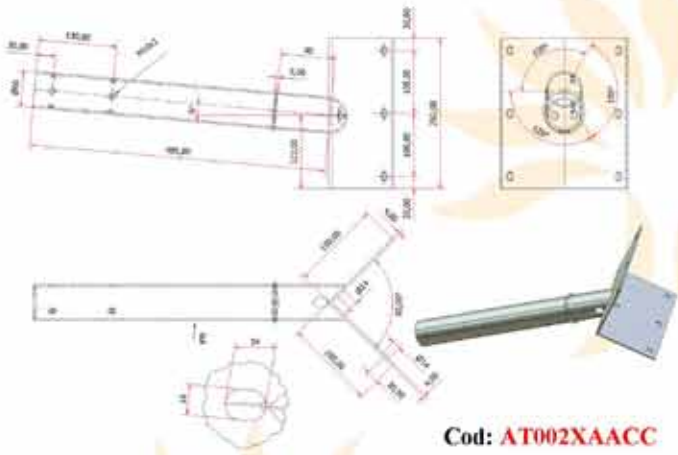
steel lighting poles freshman Enel (pag.30-31)



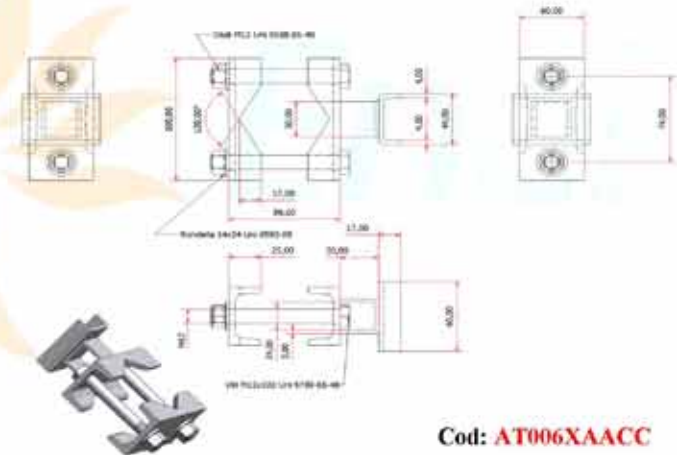
Cod: AT001XAACC



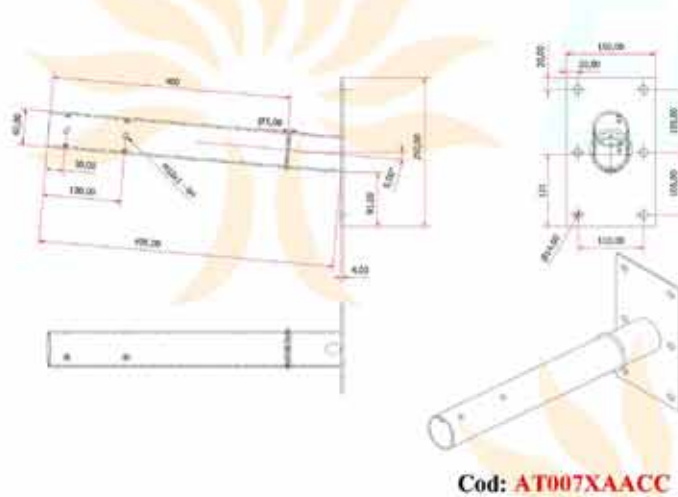
Cod: AT004XAACC



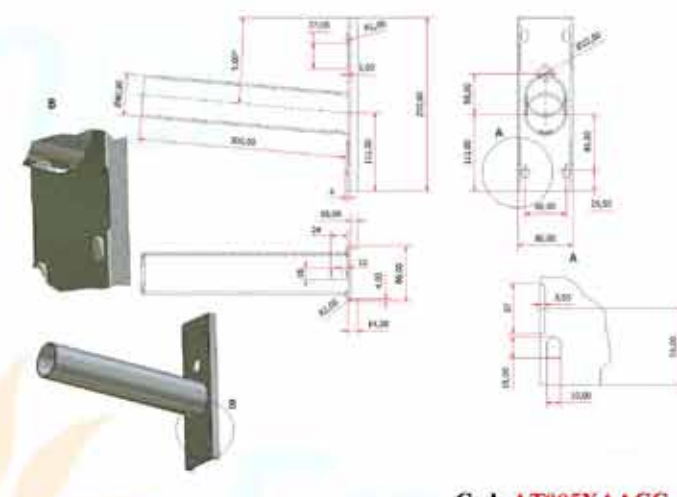
Cod: AT002XAACC



Cod: AT006XAACC



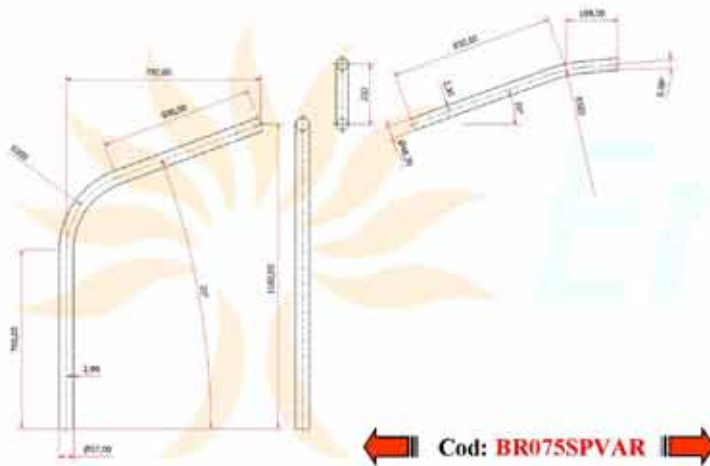
Cod: AT007XAACC



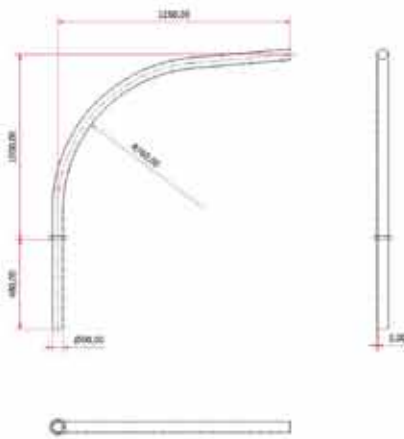
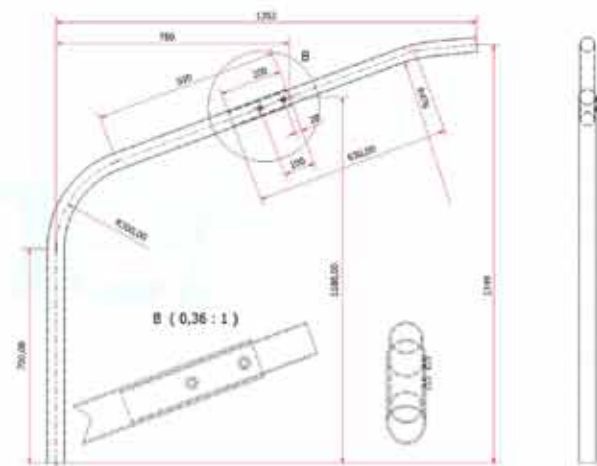
Cod: AT005XAACC

Material ; steel **S235JOH (EN 10219) - S235JR (EN 10025)**

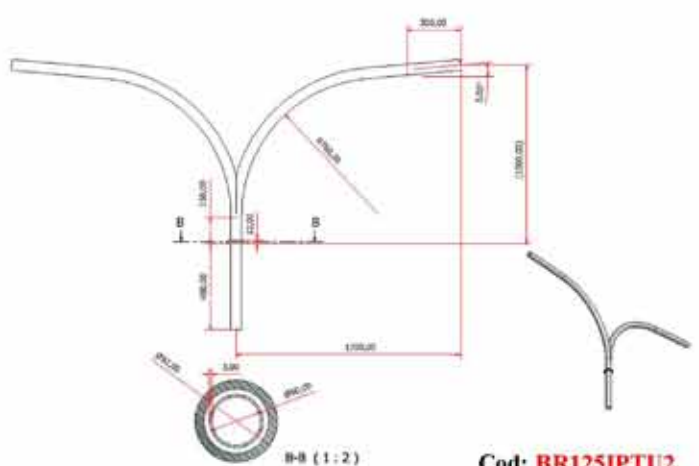
Brackets, supports and connections for tapered



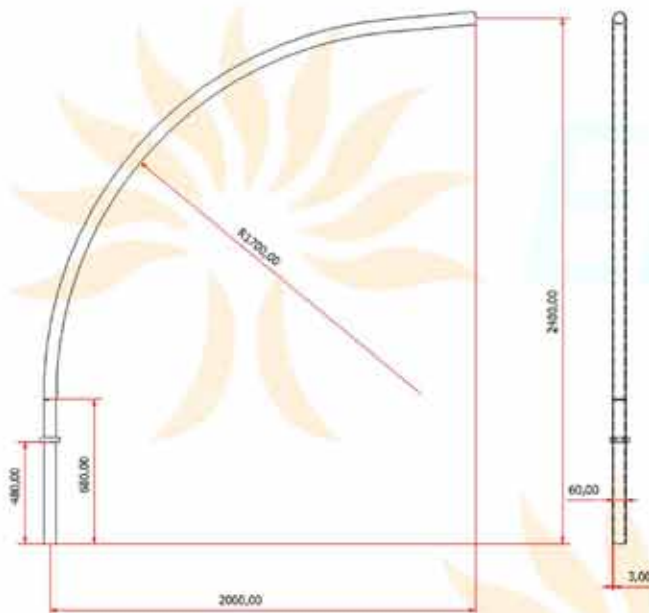
Cod: **BR075SPVAR**



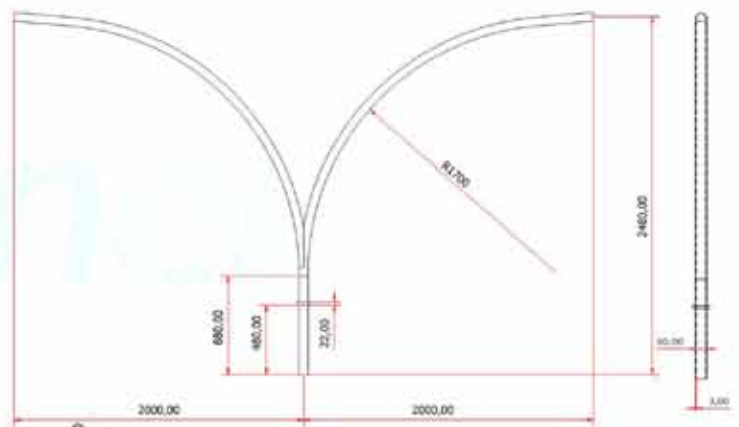
Cod: **BR125IPTUB**



Cod: **BR125IPTU2**



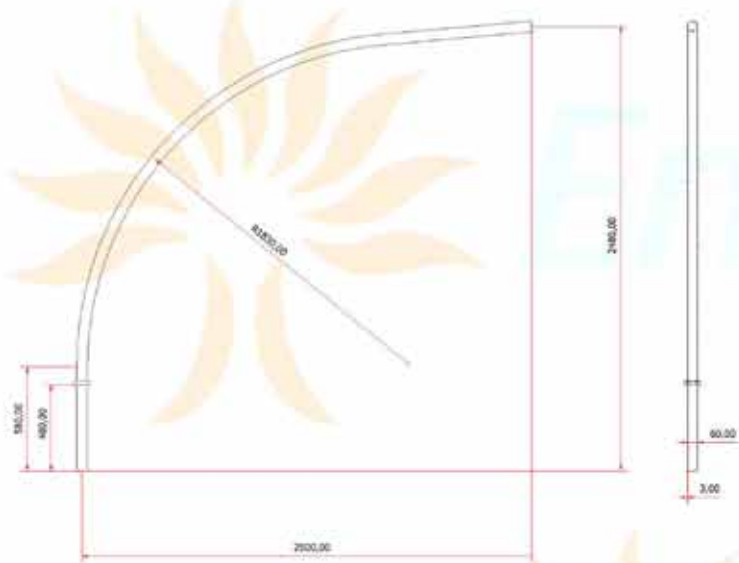
Cod: **BR200IPTUB**



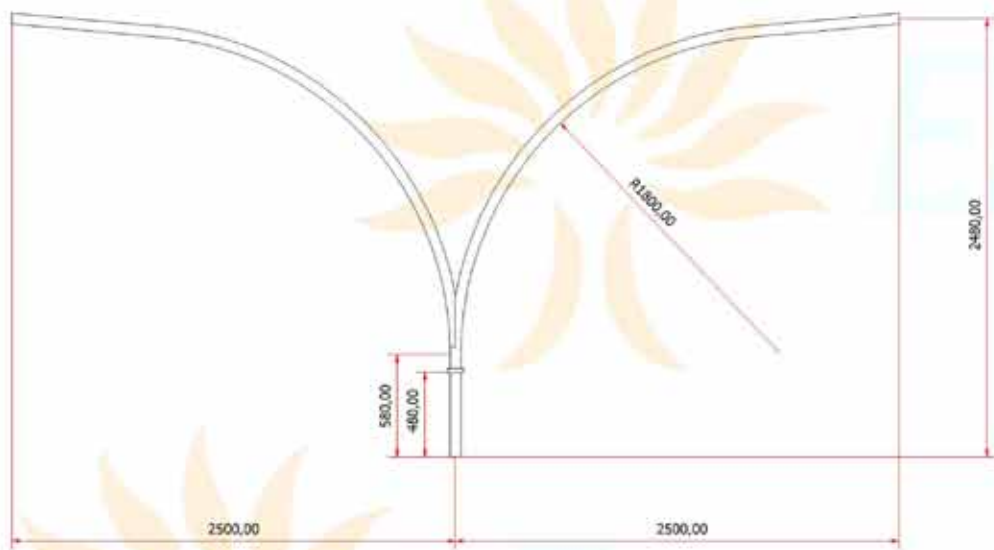
Cod: **BR200IPTU2**

Material ; steel **S235JOH (EN 10219)**

steel lighting poles freshman Enel (pag.30-31)

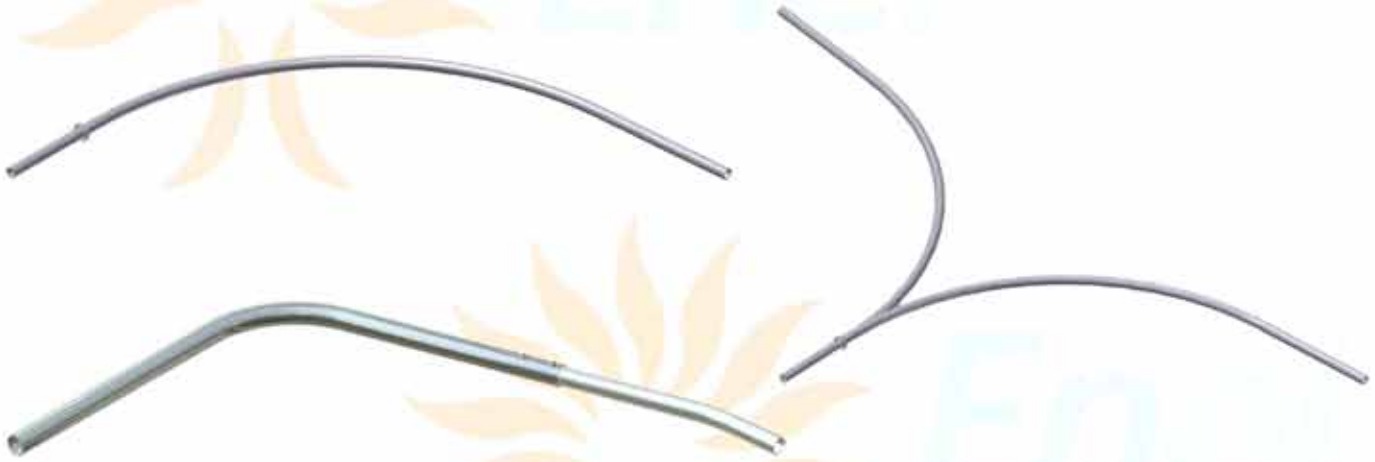


Cod: BR250IPTUB



Cod: BR250IPTU2

Material ; steel *S235JOH (EN 10219)*



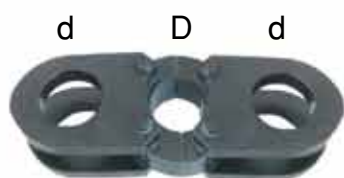
Accessories for steel lighting poles



SINGLE COUPLER

Cast aluminium.

article	fixing with	D mm	d mm	weight kg	qty pack
4328/1	screws	60	60	1,28	1



DOUBLE COUPLER

Cast aluminium.

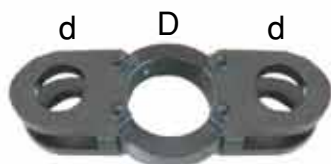
article	fixing with	D mm	d mm	weight kg	qty pack
4328/2	screws	60	60	2,00	1



SINGLE COUPLER

Cast aluminium.

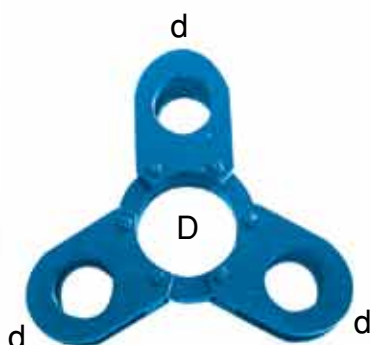
article	fixing with	D mm	d mm	weight kg	qty pack
4329/1	screws	102	60	1,70	1



DOUBLE COUPLER

Cast aluminium.

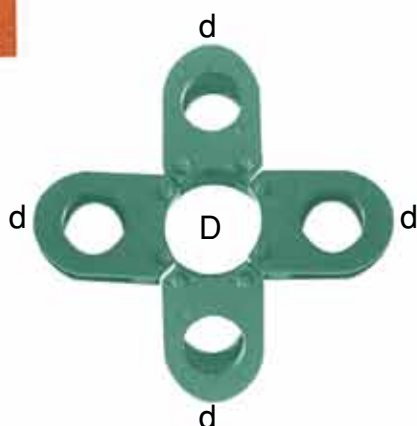
article	fixing with	D mm	d mm	weight kg	qty pack
4329/2	screws	102	60	2,60	1



TRIPLE COUPLER

in aluminium pressofuso.

article	fixing with	D mm	d mm	weight kg	qty pack
4329/3	screws	102	60	5,30	1



QUADRUPLE COUPLER

Cast aluminium.

article	fixing with	D mm	d mm	weight kg	qty pack
4329/4	screws	102	60	7,30	1



Decorative bases for urban lighting poles

Cast aluminium.

article	H mm	D mm	d mm	weight kg	qty pack
B89152	150	300	da 89 a 152	2,60	1



Sheet. Diameters on request second technical specifications.



BD-F1



BD-F2



BD-F3



BD-F4



BD-F5



BD-F6



Decorative rings for urban lighting poles

Diameters on request second technical specifications.



AD-F1



AD-F2



AD-F3



AD-F4



AD-F5



AD-F6



AD-F7



AD-F8



AD-F9

62

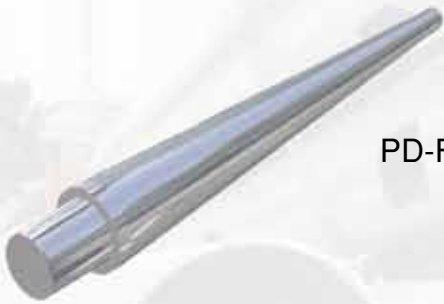


Decorative terminals for urban lighting poles

Materials and diameters on request second technical specifications.



PD-F1



PD-F2



TD-F1



LDT

520

IVECO

CK 902HY





Alphanumeric Index

Article	PAG.	Article	PAG.	Article	PAG.	Article	PAG.
3120	9	41403	26	4316/1	46	450X450	53
3180	9	41503	26	4316/10	42	4560/4	34
3240	9	41603	26	4316/15	42	4680/4	34
3300	9	41703	26	4316/1V	46	4703/139	24
3400	9	L4780	36	4316/V	46	4703/4-152	24
3450	9	250X250	53	4317/1V	46	4703/4-168	24
3500	9	3360/S	48	4317/V	46	4704/4	24
3550	9	3400/B	10	4318/V	46	4704/A	50
3600	9	3400/M	10	4319/V	46	4780/4	34
3680	11	3450/B	10	4320/Q	43	4803/4	24
3700	9	3450/M	10	4321/CIR	43	4803/4-152	24
3780	11	3500/B	10	4321/CIR1	43	4803/4-168	24
4103	24	3500/M	10	4321/RETT	43	4803/4-193	24
4220	43	350X350	53	4322/OTT	43	4803/A	50
4221	43	3550/B	10	4323/1V	46	4880/4	34
4225	42	3550/M	10	4323/V	46	4903/139	24
4303	11	3680/M	11	4324/1V	46	4903/4	24
4303/B	11	3780/M	11	4324/V	46	4903/4-152	24
4311	41	4103/4	24	4328/1	60	4903/4-168	24
4312	41	4103/4-152	24	4328/2	60	4903/4-193	24
4313	41	4103/4-168	24	4329/1	60	4903/5-219	24
4314	41	4103/4-193	24	4329/2	60	4903/A	50
4315	41	4103/5-219	24	4329/3	60	4930/4	34
4316	41	4103/A	50	4329/4	60	4980/4	34
4319	43	41030/4	34	4330/2	44	ABRUZZO	35
4320	43	41080/4	34	4330/3	44	ABRUZZO127	37
4321	43	41103/4	24	4332/0	44	AD-F1	62
4322	43	41103/4-152	24	4332/05	44	AD-F2	62
4334	20	41103/4-168	24	4332/1	44	AD-F3	62
4335	20	41103/4-193	24	4332/1A	20	AD-F4	62
4336	20	41103/5-219	24	4332/1D	51	AD-F5	62
4337	20	41103/A	50	4332/2	44	AD-F6	62
4340	51	41130/4	34	4332/2D	51	AD-F7	62
4341	51	41180/4	34	4332/3	44	AD-F8	62
4342	51	41203/4	24	4332/3D	51	AD-F9	62
4343	51	41203/4-168	24	4332/4	44	ADRIATICO	19
4344	51	41203/4-193	24	4332/5	44	APP1A152	37
4353	24	41203/5	25	4333/05	44	AT001XAACC	57
4360	34	41230/4	34	4333/1	44	AT002XAACC	57
4400	34	41280/4	34	4333/2	44	AT003XAACC	56
4400	14	4223/V	46	4333/3	44	AT003XBACC	56
4403	11	4224/V	46	4334/1	20	AT003XCACC	56
4403/B	11	4300/LDT	52	4334/2	20	AT004XAACC	57
4453	24	4300/FP	52	4335/A	20	AT005XAACC	57
4460	14	4300/MOR	52	4336/A	20	AT006XAACC	57
4460	34	4300/MOR2	52	4338/1	21	AT007XAACC	57
4500	34	4300/P	52	4338/11-102	22	AT008XAACC	56
4503	11	4300/PN	52	4338/11-76	22	ATT-1"	55
4503	24	4301/LDT	52	4338/11-89	22	ATT-1/2"	55
4503/B	11	4301/3	52	4338/12-102	22	ATT-3/4"	55
4553	24	4301/FP	52	4338/12-76	22	AURELIA152	37
4560	14	4301/MOR	52	4338/12-89	22	B40-127/60	12
4560	34	4301/MOR2	52	4338/13-102	22	B50-139/102	12
4600	34	4301/OTT	52	4338/13-76	22	B68-139/102	12
4603	11	4301/P	52	4338/13-89	22	B89152	61
4603	24	4301/PIATTA	52	4338/14-102	22	BASILICATA	35
4680	34	4302/FP	52	4338/14-76	22	BASILICATA139	37
4703	24	4310/A	53	4338/14-89	22	BD-F1	61
4704	24	4310/B	53	4338/2	21	BD-F2	61
4780	34	4310/Z	46	4338/2A	21	BD-F3	61
4803	24	4311/0	42	4338/3	21	BD-F4	61
4880	34	4312/0	42	4338/4	21	BD-F5	61
4903	24	4312/90	41	4340/90	51	BD-F6	61
4930	34	4313/0	42	4341/1	51	BR075SPVAR	58
4980	34	4314/0	42	4341/90	51	BR125IPTUB	58
41030	34	4315/1	41	4342/A	21	BR125IPTU2	58
41080	34	4315/10	42	4344/1	51	BR200IPTUB	58
41103	24	4315/15	42	4403/B	11	BR200IPTU2	58
41130	34	4315/1V	46	4403/B	11	BR250IPTU2	59
41303	26	4315/V	46	4503/B	11	BR250IPTUB	59

Alphanumeric Index

Article	PAG.	Article	PAG.	Article	PAG.	Article	PAG.
C114/3500	10	L4400	36	NINJA2-2	18	SU001XAACC	56
C114/4500	10	L4403/89	32	NOMENTANA152	37	SU002XAACC	56
C114/5000	10	L4450	36	ONDA1	18	SUSA1	18
C114/6000	10	L4453/89	32	ONDA2	18	SUSA2	18
C120/5600	10	L4503/89	32	OROBIA152	37	TD-F1	63
C120/8000	10	L4520	14	OSTIENSE	35	TFFP16	40
C76/3000	9	L4520	36	OSTIENSE139	37	TFFP20	40
C76/3500	9	L4600	36	OTT108/3	39	TFFP25	40
C76/4000	9	L4600/102	36	OTT108/4	39	TQ120	40
C76/4500	9	L4600/89	36	OTT118/4	39	TR100150	40
C76/5000	9	L4603/102	32	OTT35/3	39	TT200	40
C89/3000	9	L4603/114	32	OTT40/3	39	TT250	40
C89/3500	9	L4603/89	32	OTT45/3	39	UMBRIA	35
C89/4000	9	L4650	50	OTT55/3	39	UMBRIA127	37
C89/4500	9	L4680	36	OTT68/3	39	VENEZIA1	19
C89/5000	9	L4680/127	36	OTT78/3	39	VENEZIA2	19
CA	55	L4700/114	32	OTT78/4	39	VERSILIA152	37
CALABRIA	35	L4700/127	32	OTT88/3	39	VESUVIO	35
CALABRIA127	37	L4700/139	32	OTT88/4	39	VESUVIO139	37
CALIFORNIA1	18	L4780/114	36	OTT98/3	39	VIALE1	19
CALIFORNIA2	18	L4800/114	32	OTT98/4	39	VIALE2	19
CAOS1	18	L4800/127	32	P05/4321	25	VR3100N	47
CAOS2	18	L4800/139	32	P10/4321	25	VR3120N	47
CAPODICHINO	35	L4800/152	32	P15/4321	25	VR3150N	47
CAPODICHINO127	37	L4800/168	32	P20/4321	25	VR3175N	47
CASILINA	35	L4880	36	PD-F1	63	VR3200N	47
CASILINA127	37	L4880/114	36	PD-F2	63	VR3240N	47
CILENTO139	37	L4880/139	36	PP14	38	VR3250N	47
CPR250	53	L4900/114	32	PP15	38	VR3300N	47
CPR350	53	L4900/127	32	PP16	38	VR3350N	47
CPR450	53	L4900/139	32	PP17	38	VR3400N	47
DOMIZIANA	35	L4900/152	32	PRENESTINA	35	VRB	47
DOMIZIANA127	37	L4900/168	32	PRENESTINA139	37	VRC1000G	45
EMILIA127	37	L4900/193	32	Q100-2000	13	VRC1160G	45
ETNA	35	L4930/114	36	Q100-3000	13	VRC360G	45
ETNA139	37	L4930/127	36	Q120-2000	13	VRC360N	45
FLAMINIA	35	L4930/139	36	Q120-3000	13	VRC400G	45
FLAMINIA127	37	L4980	36	R4700	49	VRC460G	45
FR68-152/76	27	L4980/1	36	R4800	49	VRC460N	45
FR78-168/89	27	L4980/152	36	R68-127/102	12	VRC480G	45
FR78-193/89	27	L4980/168	36	R68-159/102	12	VRC480N	45
FR88-168/89	27	LBS4760/114-76	48	R78-139/102	12	VRC500G	45
FRIULI139	37	LBS6540/114-76	48	R78-159/102	12	VRC560G	45
IRPINIA139	37	LIGURIA139	37	R88-159/102	12	VRC560N	45
L41000/127	32	LINATE	35	R98-159/102	12	VRC580G	45
L41000/139	32	LINATE127	37	RL40-102/60	13	VRC580N	45
L41000/152	32	LOMBARDIA139	37	RL45-102/60	13	VRC600G	45
L41000/168	32	LP108-168/75	12	RL50-114/76	13	VRC680G	45
L41000/193	32	LP48-168/60	12	RL55-114/76	13	VRC700G	45
L41030/127	36	LP58-168/75	12	RL60-114/76	13	VRC800G	45
L41030/139	36	LP68-168/75	12	ROMAGNA139	37	VRC900G	45
L41080	36	LP78-168/75	12	SALARIO152	37	VRR3100N	47
L41080/1	36	LP88-168/75	12	SEMPIONE127	37	VRR3150N	47
L41080/127	36	LP98-168/75	12	SO070RTDIRT60	30	VRR3150V	47
L41080/168	36	MA-500	55	SO090RTDIRT60	30	VRR3200N	47
L41100/139	32	MALPENSA127	37	SO098RT168T60	31	VRR3200V	47
L41100/152	32	MARCHE	35	SO098RT193T60	31	VRR3250N	47
L41100/168	32	MARCHE127	37	SO098RT219T60	31	VRR3250V	47
L41100/193	32	MILANO1	18	SO110RTDIRT60	30	VRR3300N	47
L41130/127	36	MILANO2	18	SO130RTDIRT60	30	VRR3300V	47
L41130/139	36	MOLISE114	37	SO165RTDIRT60	31		
L41200/152	32	MONFERRATO139	37	SP-F1	54		
L41200/168	32	MT-104/150	55	SP-F2	54		
L41200/193	32	MT-153/196	55	SP-F3	54		
L41230/139	36	MT-197/250	55	SP-F4	54		
L41230/168	36	MT-55/80	55	SP-F5	54		
L41280/139	36	MT-81/112	55	SP-F6	54		
L41280/152	36	NINJA1	18	STORICO	19		
L41280/168	36	NINJA1-1	18	STROMBOLI	35		
L4400	14	NINJA2	18	STROMBOLI139	37		

