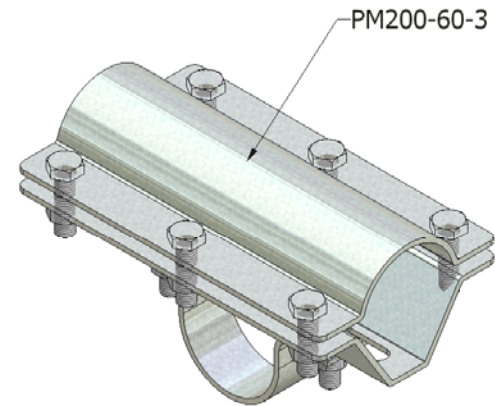
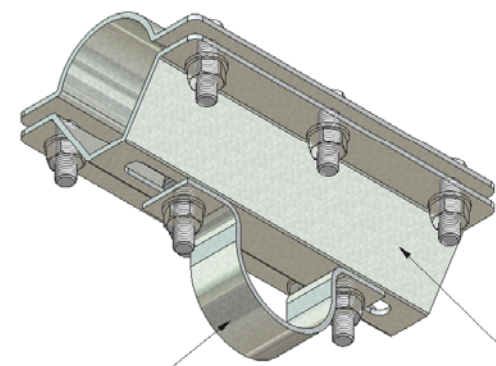
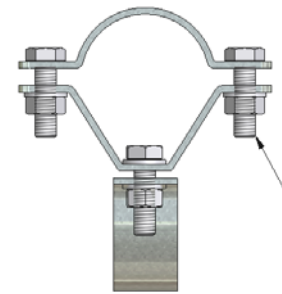
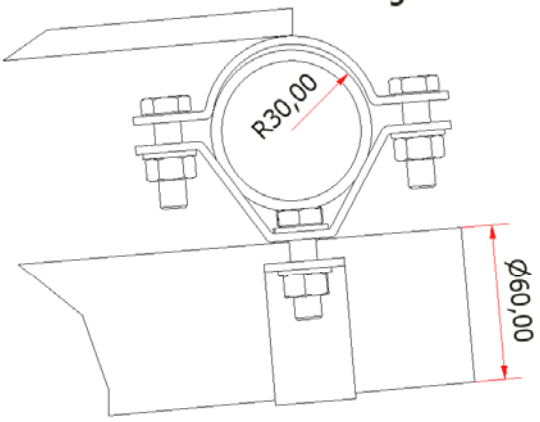
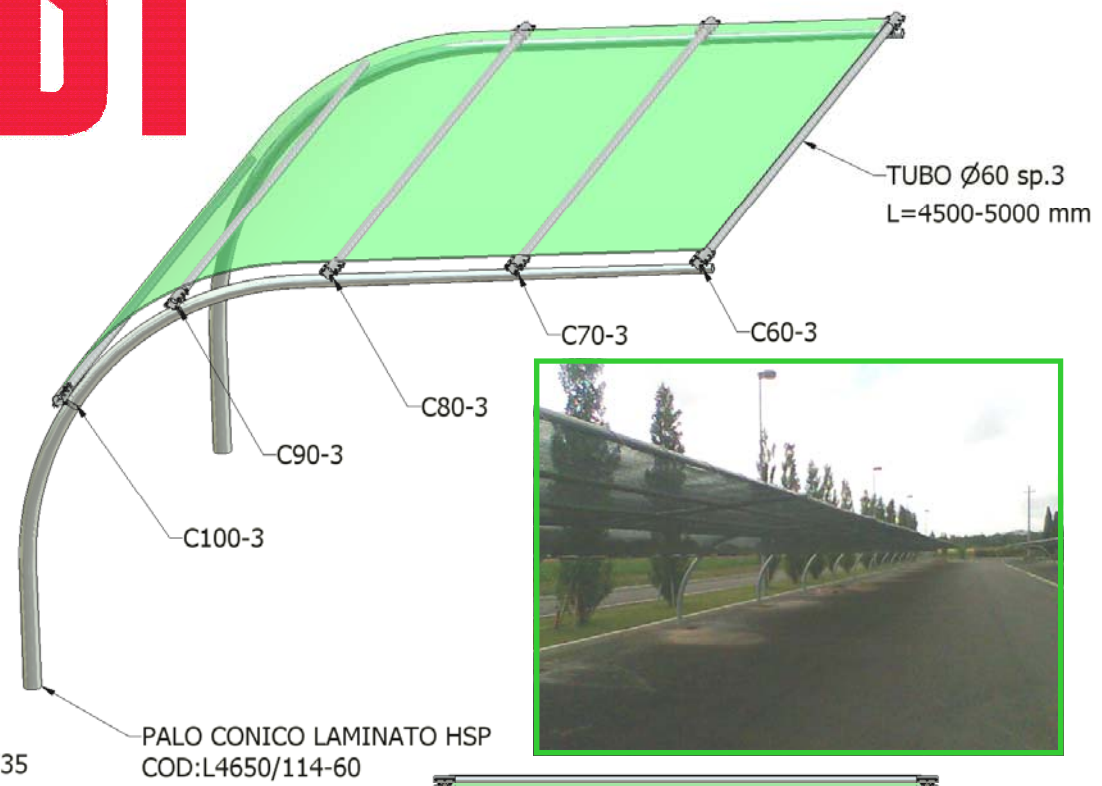
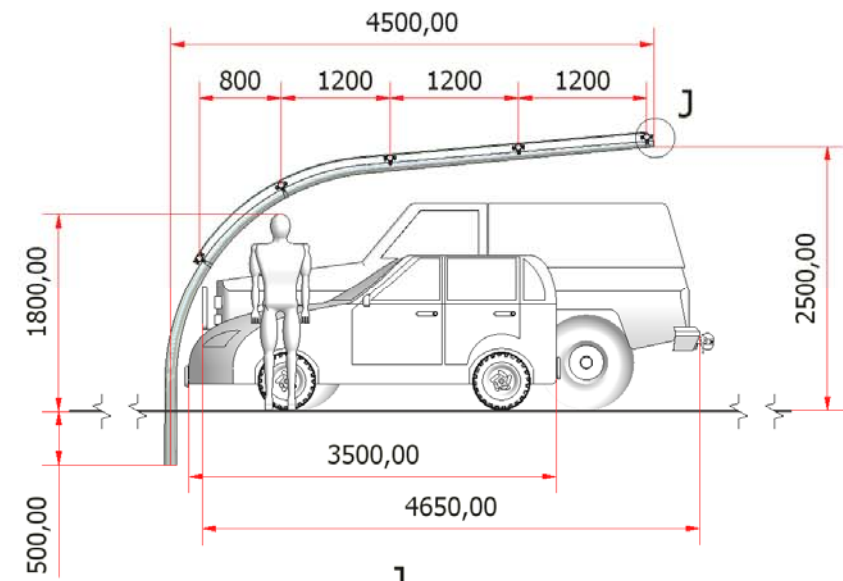
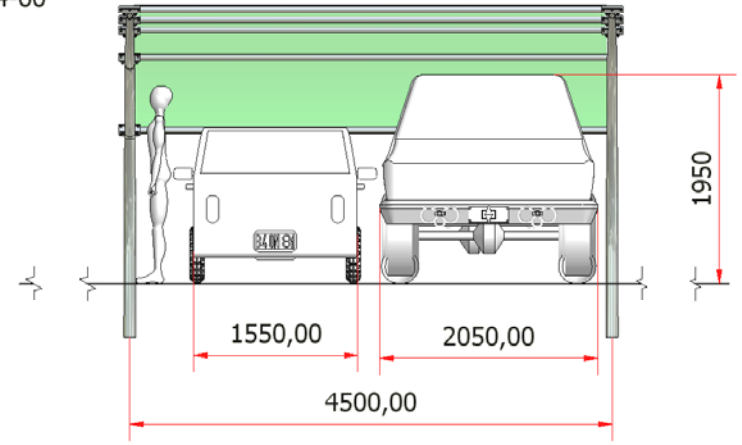


# LDT



PF200-60-3



**LDT**

C.da Fontanelle 28 62010 MORROVALLE SCALO (MC) ; Tel: +39 0733 865489 - Tel: +39 0733 866570 - Fax: +39 0733865683 ; E-mail: ldt@ldt-tosoni.com ; www.ldt-tosoni.com